

PARTS LIST

DVK

1701D
1702D
1703D
1701F
1702F
1703F
1702ML

1702DE
1703DE
1702EM
1703EM
1702EMK
1703EMK

1702E
1703E
1702L
1702B
1701P.PMD
1702P.PMD
1701EHD
1702BK
1702BWK

Foreword

Thank you for purchasing a Kansai Special DVK Series sewing machine.

Use this Parts List for easy identification and ordering of DVK series repair and replacement parts.

This Parts List is based on DVK-1701—1703 F-type and D-type as standard machines.

You will find listings for reference numbers, parts numbers, parts names and quantities required.

For parts common to all the DVK series machines, see pages 1—10.

For parts used only subclass models (those marked with ★), refer to pages 21—39.

Parts described by dotted line or marked with ★★ are the same as those used in standard models (F-type or D-type)

Mechanisms of gauge parts for all the DVK series are described in pages 11—17.

See pages 19 and 20 for gauge parts list.

By referring to the index on pages 46—51, you can easily find the drawings and names for any parts number.

When ordering, please specify the following.

(Example)	Model	Needle Gauge	Ref. No.	Parts No.	Q'ty
	(DVK-1702D)	(1/4")	(P11-37)	(17-764)	(1)

In the drawings, the parts shown in boxes indicate a set of parts. When ordering, please specify the assembly number.

(Example)	Model	Needle gauge	Ref. No.	Assembly No.	Unit
	(1703F)	(1/4")	(P3.72-D)	40-131	1 set

This parts List is valid for machines manufactured after January 1, 1978. Due to frequent design improvements, components and parts numbers may be changed in the future.

パーツリスト御利用に際して

DVKシリーズ製品お買い上げいただきありがとうございました。

本パーツリストは、DVKシリーズミシンの修理用部品が容易に御利用いただけるよう編集されております。

DVK-1701~1703、Fタイプ及びDタイプを基本機種として、機構別に収録され、部品図解頁の下側または反対側の頁に参照番号、部品番号、名称、使用数量の順で記載されております。1頁から10頁を参照して下さい。参照番号に★印の付いた部品は基本機種以外のサブクラス機種になると異なる部品です。21頁~39頁を参照して下さい。サブクラス機種で、部品図解が点線で描かれている部品、または参照番号に★★印の付いている部品は、基本機種（FタイプまたはDタイプ）と共通部品です。ゲージ関係部品に関しては11頁~17頁にDVK全シリーズまとめて記載しております。19頁と20頁のゲージ表と合せて御利用下さい。

また、46頁~51頁には部品索引表を記載しておりますので部品番号のみで、その図解、名称などが容易に引き出せます。

本パーツリストに基き部品御注文の際は、部品番号を必ず明示して下さい。

(例)	機種名	針巾	参照番号	部品番号	数量
	(DVK-1702D)	(1/4")	(P11、37)	(17-764)	(1)

部品図解中で枠内の部品に参照記号の付記されているものはアッセンブリ品です。

御注文の際は、アッセンブリ番号を明示して下さい。

(例)	機種名	針巾	参照番号	アッセンブリ番号	数量
	(1703F)	(1/4")	(P3、72-D)	(40-131)	(1セット)

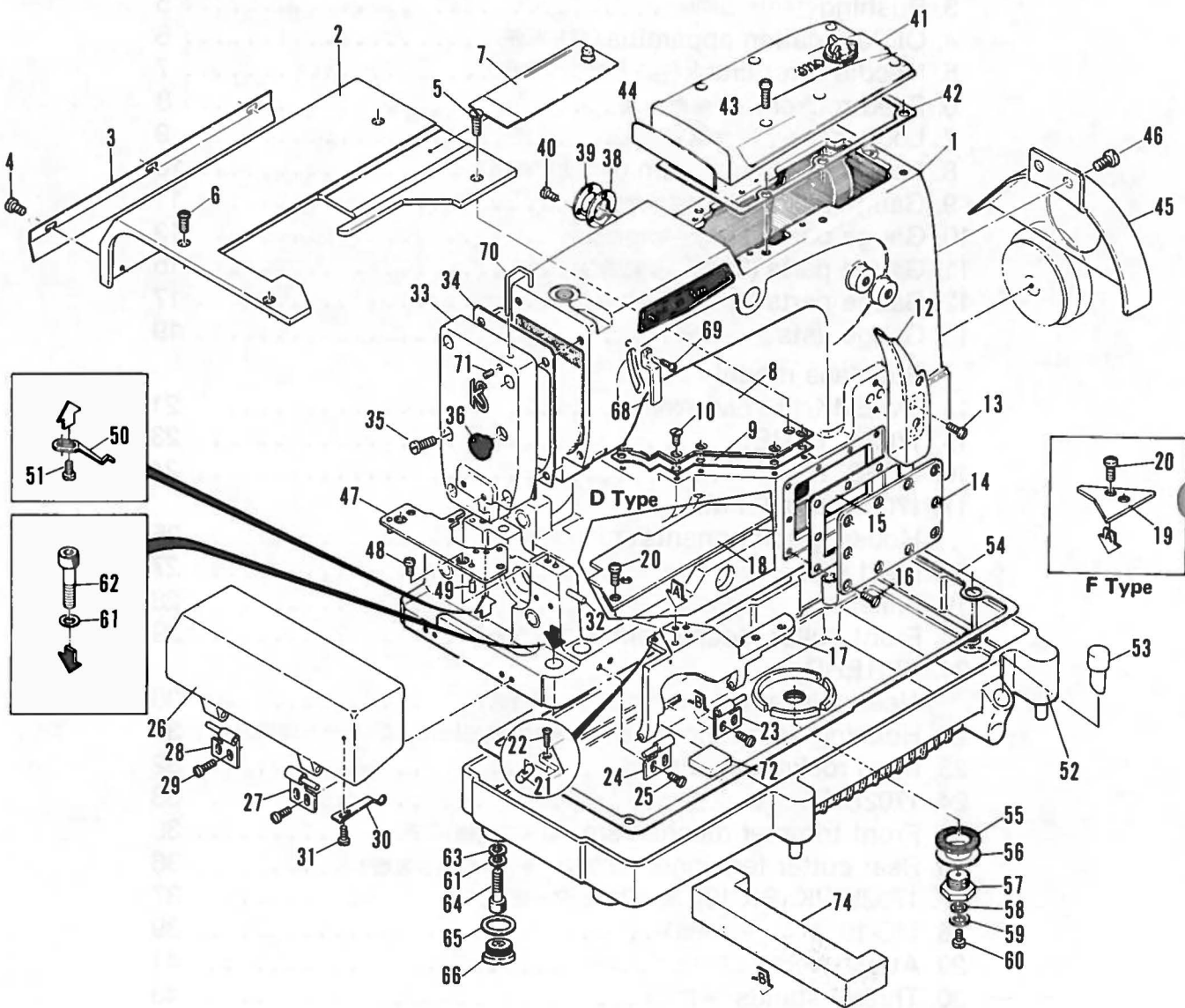
本パーツリストは、1978年1月現在製造中のミシンを基に作成されております。

部品番号、部品形状などは設計変更により変わる場合があります。

Contents

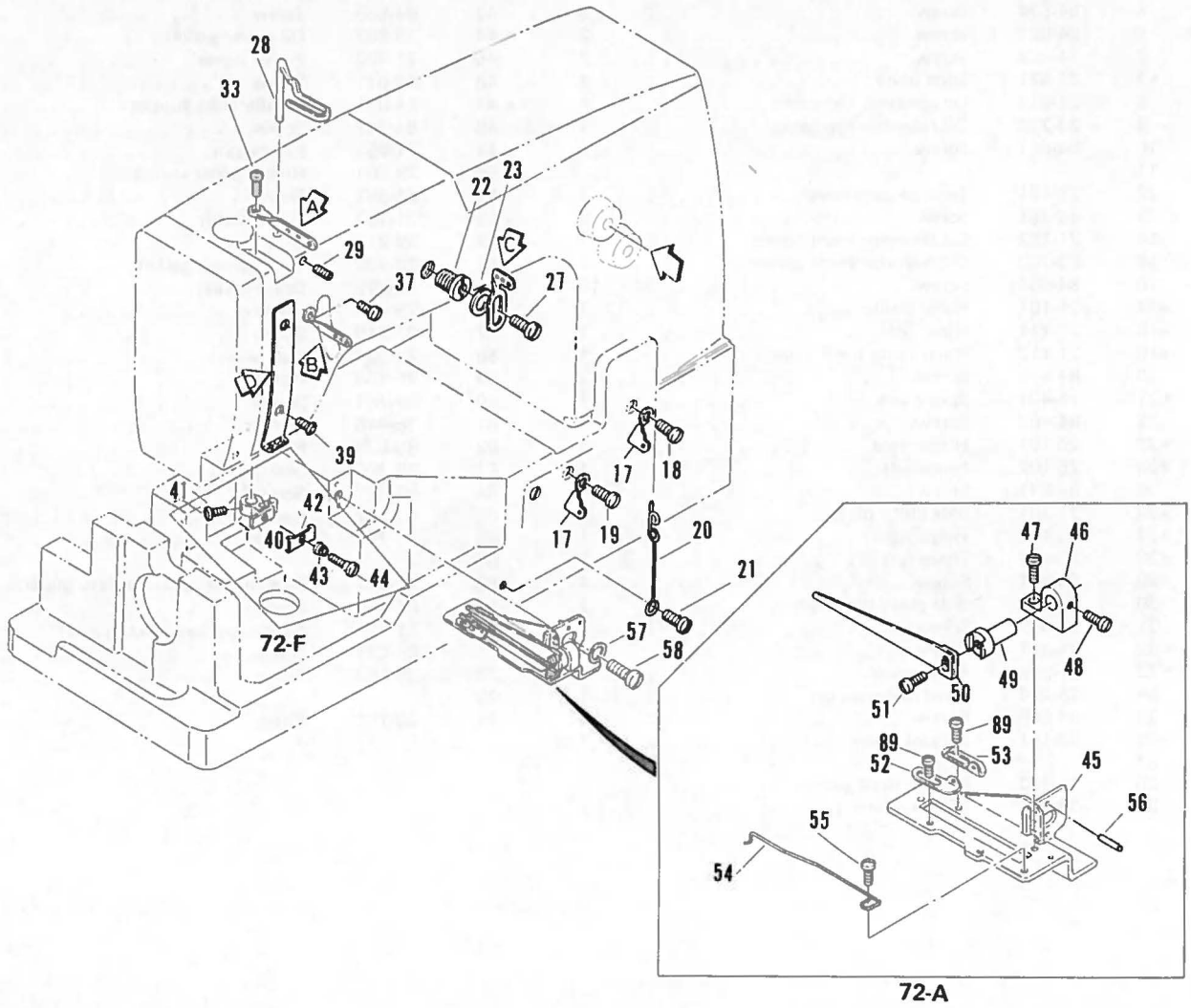
1. Housing components (カバー関係)	1
2. Thread eyelets (糸道関係)	3
3. Bushing (ブッシュ関係)	5
4. Oil lubrication apparatus (給油関係)	6
5. Needle lever crank (弓・クランク機構)	7
6. Feed rocker (送り機構)	8
7. Looper (ルーパー機構)	9
8. Foot lifter mechanism (押え上げ機構)	10
9. Gauge parts (1) (ゲージ関係(1))	11
10. Gauge parts (2) (ゲージ関係(2))	13
11. Gauge parts (3) (ゲージ関係(3))	15
12. Gauge parts (4) (ゲージ関係(4))	17
13. Gauge lists (ゲージ表)	19
Subclass model	
14. EM,EMK (EM-EMK関係)	21
15. 1702E, 1703E	23
16. 1702B	24
17. 1701P, 1702P.PMD	
Housing components (カバー関係)	25
18. Feed rocker (送り機構)	27
19. Puller (プーラー機構)	28
20. Front puller mechanism (前プーラー装置)	29
21. 1701EHD	
Needle lever crank (弓・クランク機構)	30
22. Housing components & Thread eyelets (カバー・糸道関係) ..	31
23. Feed rocker (送り機構)	32
24. 1702BK	33
25. Front trimmer mechanism (前メス機構)	35
26. Rear cutter tensioner (後カッターテンション装置)	36
27. 1702BWK (BK-10) (後メスカッター装置)	37
28. MC-10 (後カッター装置)	39
29. Attachments (アタッチメント)	41
30. Thread stands (糸立て)	43
31. Tape stands, Accessories (テープ立て・アクセサリ)	44
32. Table stand assembly diagram (テーブルスタンド据付図)	45
33. Index (索引)	46

1. Housing components (カバー関係)



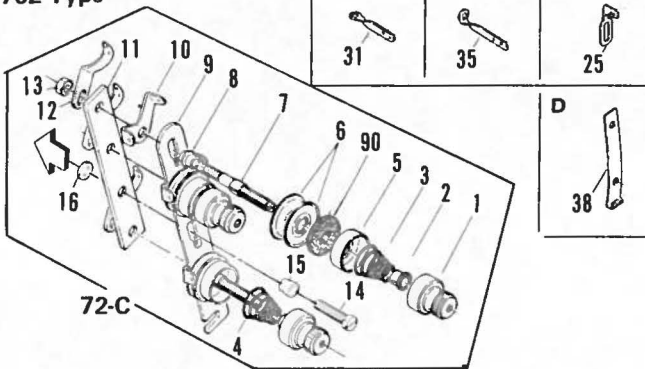
Ref. No.	Part No.	Part Name	Q'ty	Ref. No.	Part No.	Part Name	Q'ty
* 1	22-751	Arm bed (DVK, D, F type)	1	40	84-362	Screw	3
* 2	21-501	Upper cloth plate	1	41	21-208	Crank chamber oil cover	1
* 3	21-441	Supporting cover	1	42	23-206	Crank chamber oil gasket	1
4	84-574	Screw	3	43	84-566	Screw	6
5	84-861	Screw	2	44	23-207	Oil cover gasket	1
6	84-862	Screw	2	45	21-402	Pulley cover	1
* 7	21-521	Slide plate	1	46	84-571	Screw	2
8	21-513	Oil reservoir top cover	1	* 47	14-031	Needle plate support	1
9	23-223	Oil reservoir top gasket	1	48	84-761	Screw	2
10	84-661	Screw	8	49	71-251	Knock pin	2
11				* 50	79-501	Ruler holder spring	1
12	21-131	Tension post cover	1	51	84-361	Screw	2
13	84-361	Screw	2	52	31-203	Oil reservoir	1
14	21-122	Oil reservoir front cover	1	53	39-213	Oil gauge	1
15	23-232	Oil reservoir front gasket	1	54	23-402	Oil reservoir gasket	1
16	84-664	Screw	10	55	23-299	Drain gasket	1
* 17	21-101	Ruler holder	1	56	75-469	Washer	1
* 18	21-111	Ruler plate	1	57	87-810	Screw	1
* 19	21-113	Ruler plate for F type	1	58	23-301	Seal gasket	1
20	84-572	Screw	2	59	75-453	Washer	1
* 21	71-401	Spring pin	1	60	84-761	Screw	1
22	84-462	Screw	1	61	75-446	Washer	2
* 23	25-101	Hinge right	1	62	85-628	Screw	2
* 24	25-102	Hinge left	1	63	23-260	Seal gasket	2
25	84-571	Screw	4	64	85-627	Screw	2
* 26	21-301	Side cloth plate	1	65	23-302	Gasket	2
* 27	25-101	Hinge right	1	66	87-756	Screw	2
* 28	25-102	Hinge left	1	67			
29	84-571	Screw	4	68	21-711	Needle lever eyelet safety plate	1
30	79-502	Side cloth plate spring	1	69	84-363	Screw	1
31	84-571	Screw	1	70	21-701	Needle bar eyelet safety bar	1
* 32	71-301	Spring pin	1	* 71	84-521	Screw	1
* 33	21-316	Head cover	1	72	39-163	Filter	2
34	23-216	Head cover gasket	1	73			
35	84-566	Screw	5	74	39-161	Filter	1
36	23-161	Oil seal cover	1				
37							
38	23-263	Oil seal plate gasket	1				
39	39-108	Oil seal plate	1				

2. Thread eyelet components (糸道関係)



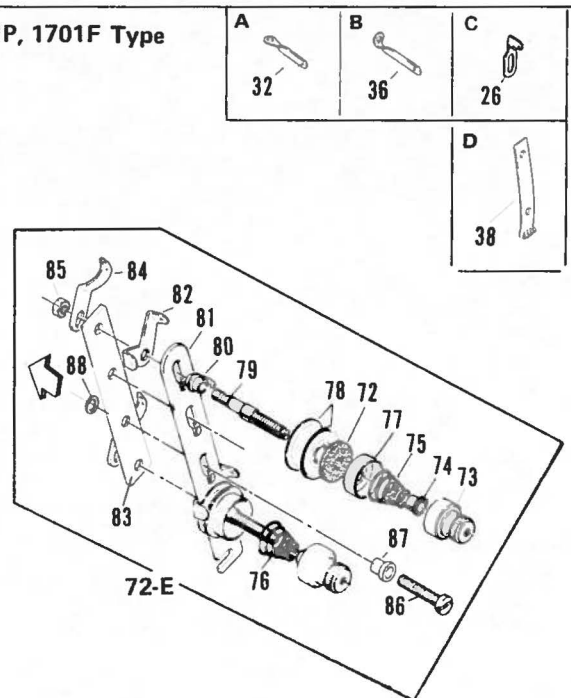
72-A

1702 Type



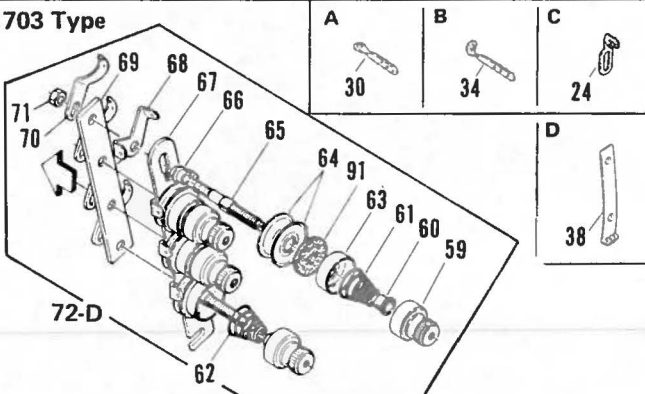
72-C

1701P, 1701F Type



72-E

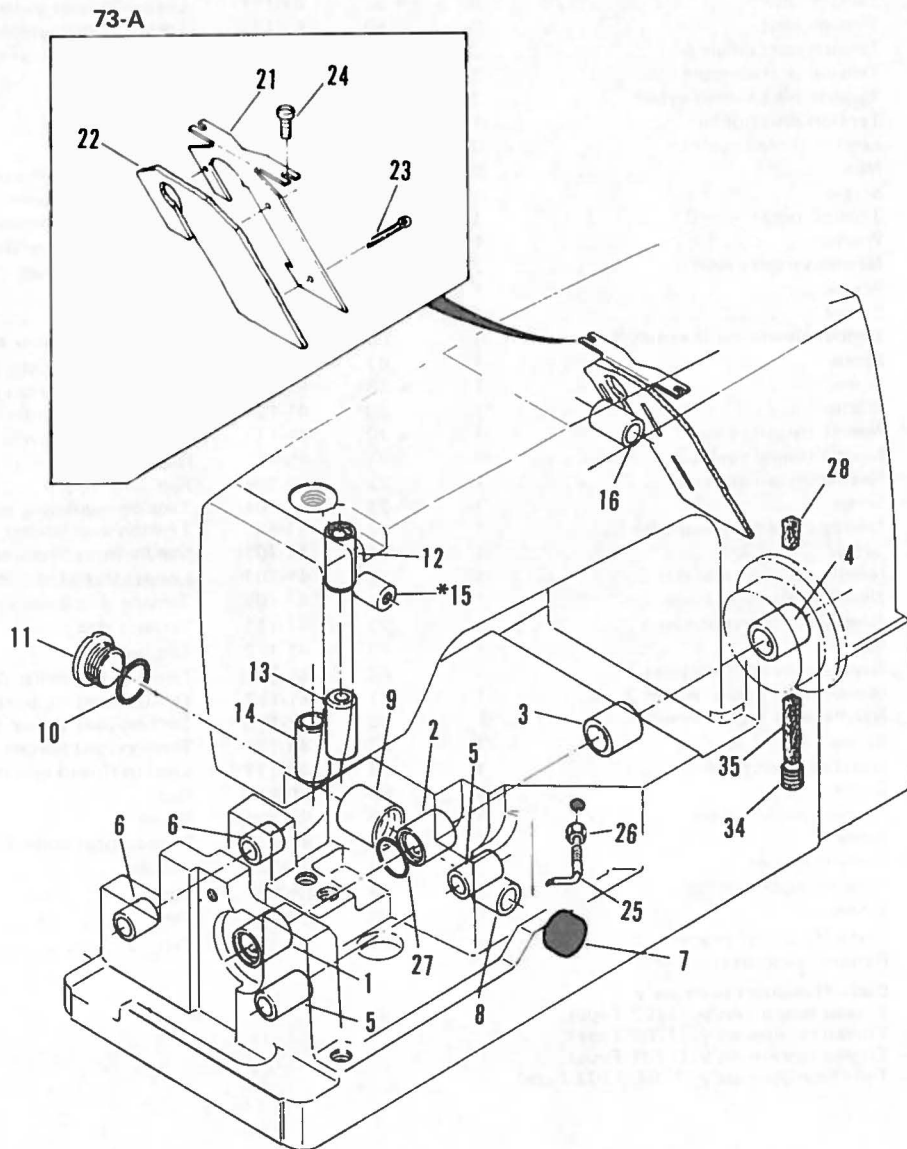
1703 Type



72-D

Ref. No.	Part No.	Part Name	Q'ty	Ref. No.	Part No.	Part Name	Q'ty
1	41-101	Tension regulating nut	3	47	84-162	Screw	1
2	41-105	Tension disc ratchet	3	48	84-161	Screw	1
3	41-701	Needle thread tension spring	2	* 49	43-112	Pin for thread retainer	1
4	41-702	Looper thread tension spring	1	* 50	43-333	Looper thread retainer	1
5	41-107	Tension disc cover	3	51	84-374	Screw	1
6	41-111	Tension disc	6	* 52	47-131	Looper thread guide eyelet (right)	1
7	41-172	Tension post	3	53	47-132	Looper thread guide eyelet (left)	1
8	41-131	Tension post collar A	3	* 54	43-335	Looper thread cast-off pin	1
9	41-113	Tension post support	1	55	84-163	Screw	1
* 10	41-115	Tension post thread eyelet	3	56	71-191	Pin	2
11	41-121	Tension post holder	1	* 57	75-456	Washer	1
* 12	41-117	Lead in thread eyelet	3	58	84-571	Screw	1
13	86-411	Nut	2	59	41-101	Tension regulating nut	4
14	84-764	Screw	1	60	41-105	Tension disc ratchet	4
15	41-132	Tension post collar B	1	61	41-701	Needle thread tension spring	3
16	75-381	Washer	1	62	41-702	Looper thread tension spring	1
* 17	41-416	Needle thread eyelet	2	63	41-107	Tension disc cover	4
18	84-374	Screw	1	64	41-111	Tension disc	8
19	84-361	Screw	1	65	41-172	Tension post	4
* 20	47-202	Looper thread guide eyelet B	1	66	41-131	Tension post collar A	4
21	84-361	Screw	1	67	41-113	Tension post support	1
22	85-531	Screw	1	* 68	41-115	Tension post thread eyelet	4
23	75-456	Washer	1	69	41-121	Tension post holder	1
24	45-102	Needle thread eyelet 3	1	* 70	41-117	Lead in thread eyelet	4
* 25	45-101	Needle thread eyelet 2	1	71	86-411	Nut	2
* 26	45-100	Needle thread eyelet 1	1	72	23-324	Felt	2
27	84-571	Screw	1	73	41-101	Tension regulating nut	2
28	45-225	Needle thread take-up wire E	1	74	41-105	Tension disc ratchet	2
29	84-521	Screw	1	75	41-701	Needle thread tension spring	1
30	45-132	Needle bar thread eyelet 3	1	76	41-702	Looper thread tension spring	1
* 31	45-131	Needle bar thread eyelet 2	1	77	41-107	Tension disc cover	2
* 32	45-130	Needle bar thread eyelet 1	1	78	41-111	Tension disc	4
33	84-361	Screw	1	79	41-172	Tension post	2
34	45-122	Needle lever thread eyelet 3	1	80	41-131	Tension post collar A	2
* 35	45-121	Needle lever thread eyelet 2	1	81	41-113	Tension post support	1
* 36	45-120	Needle lever thread eyelet 1	1	82	41-115	Tension post thread eyelet	2
37	84-361	Screw	1	83	41-121	Tension post holder	1
* 38	45-151	Needle thread guide 3	1	84	41-117	Lead in thread eyelet	2
39	84-464	Screw	2	85	86-411	Nut	1
* 40	41-303	Tension nipper plate	1	86	84-764	Screw	1
* 41	84-364	Screw	1	87	41-132	Tension post collar B	1
* 42	45-142	Tension nipper	1	88	75-381	Washer	1
* 43	41-721	Tension nipper spring	1	89	84-163	Screw	2
* 44	84-171	Screw	1	90	23-324	Felt	3
* 45	43-331	Cast-off support bracket	1	91	23-324	Felt	4
* 46	43-339	Retainer support bracket	1				
* 72-A	40-381	Cast-off support plate ass'y					
72-C	40-121	Thread tension ass'y, (1702 Type)					
72-D	40-131	Thread tension ass'y, (1703 Type)					
* 72-E	40-111	Thread tension ass'y, (1701 Type)					
* 72-F	40-531	Tension nipper ass'y (1703, 1702 Type)					

3. Bushings (ブッシュ関係)

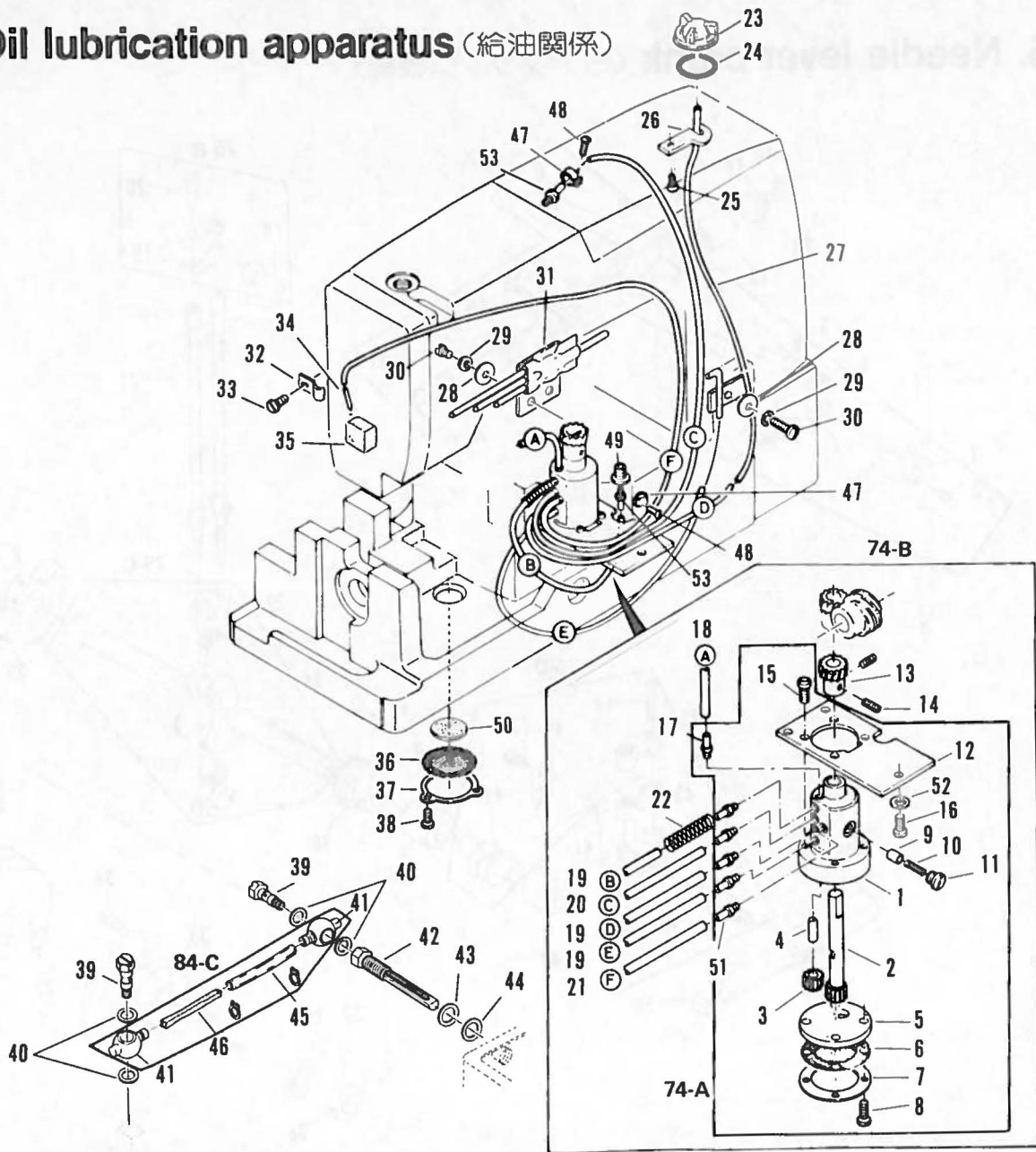


Ref. No.	Part No.	Part Name	Q'ty	Ref. No.	Part No.	Part Name	Q'ty
1	81-711	Main shaft bushing A	1	* 15	81-201	Bushing for spring set screw	1
2	81-702	Main shaft bushing B	1	16	81-255	Presser foot lifter lever bushing	1
3	81-713	Main shaft bushing C	1	17			
4	81-110	Flange bushing	1	18			
5	81-736	Looper rocker shaft bushing A	2	19			
6	81-751	Feed rocker shaft bushing A	2	20			
7	23-166	Oil plug A	1	21	39-122	Fence B	1
8	81-136	Looper drive lever shaft bushing B	1	22	23-372	Fence felt B	1
9	81-137	Looper drive lever shaft bushing C	1	23	93-621	Pin	3
10	23-195	O-ring	1	24	84-164	Screw	2
11	87-811	Screw	1	25	35-111	Feed rocker eccentric link tubing	1
*12	81-183	Needle bar bushing C (upper)	1	26	86-501	Nut	1
*13	81-184	Needle bar bushing C (lower)	1	27	23-197	O-ring	1
14	81-154	Presser bar bushing	1	28	23-383	Felt	1
73-A	30-941	Fence ass'y					

Note: Parts marked with * are not used for models 1701P-PMD and 1702P-PMD.

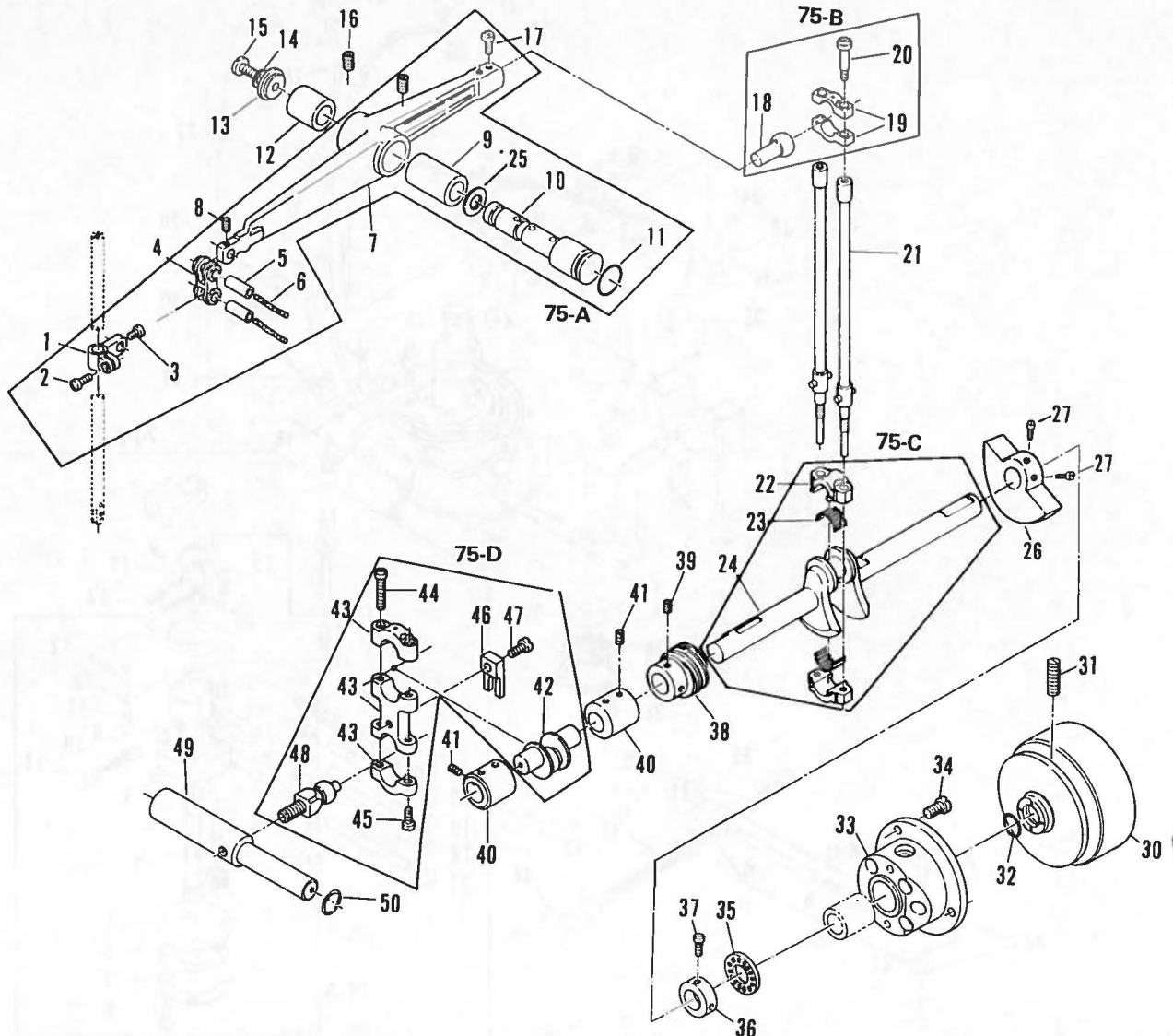
(注) *印の部品は1701P・PMD、1702P・PMDには使用いたしておりません。

4. Oil lubrication apparatus (給油関係)



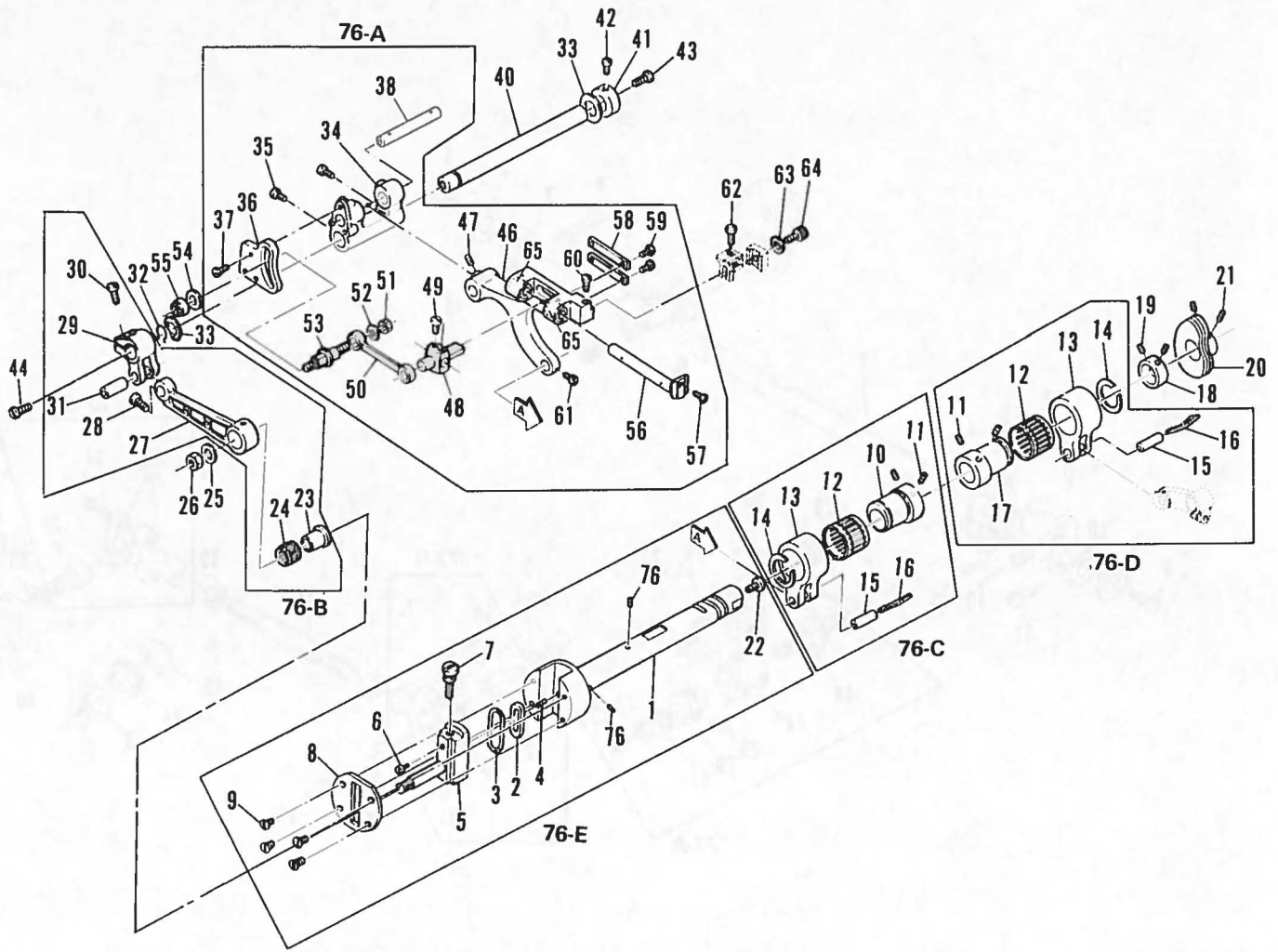
Ref. No.	Part No.	Part Name	Q'ty	Ref. No.	Part No.	Part Name	Q'ty
1	31-401	Oil pump body C	1	27	35-246	Piping	1
2	31-406	Gear E (main)	1	28	23-291	Packing	3
3	31-407	Gear E (support)	1	29	75-468	Washer	3
4	71-482	Pin	1	30	84-363	Screw	3
5	31-403	Pump body cover	1	31	35-121	Pipe	1
6	31-404	Pump body mesh	1	32	39-133	Support	1
7	31-405	Mesh Frame	1	33	84-361	Screw	1
8	84-571	Screw	4	34	35-257	Pipe	1
9	31-305	Pin	1	35	23-368	Felt	1
10	31-306	Spring	1	36	31-310	Mesh	1
11	31-307	Screw	1	37	39-102	Mounting plate	1
12	31-402	Body fixing plate	1	38	84-362	Screw	2
13	31-409	Gear	1	39	35-203	Oil guide screw	2
14	84-521	Screw	2	40	23-306	Packing	4
15	84-566	Screw	4	41	35-305	Tube coupling	2
16	84-572	Screw	3	42	35-201	Oil flow screw	1
17	31-314	Vinyl tube coupling	5	43	75-470	Washer	1
18	35-302	Vinyl pipe (75ℓ)	1	44	23-300	Packing	1
19	35-303	Vinyl pipe (230ℓ)	3	45	35-207	Vinyl pipe	1
20	35-304	Vinyl pipe (410ℓ)	1	46	23-393	Felt	1
21	35-322	Vinyl pipe (600ℓ)	1	47	31-341	Pipe support	2
22	79-236	Spring	1	48	31-341	Pipe support screw	2
23	39-233	Oil pot lid	1	49	85-531	Fixing screw	1
24	39-233	O-ring	1	50	39-162	Mesh filter	1
25	84-161	Screw	1	51	31-364	Vinyl tube coupling	1
26	39-137	Pipe support	1	52	75-467	Washer	3
74-A	30-001	Oil pump ass'y		53	31-314	Vinyl tube coupling	2
74-B	30-002	Oil pump ass'y					
74-C	30-500	Looper piping ass'y					

5. Needle lever crank (ミ・クランク機構)



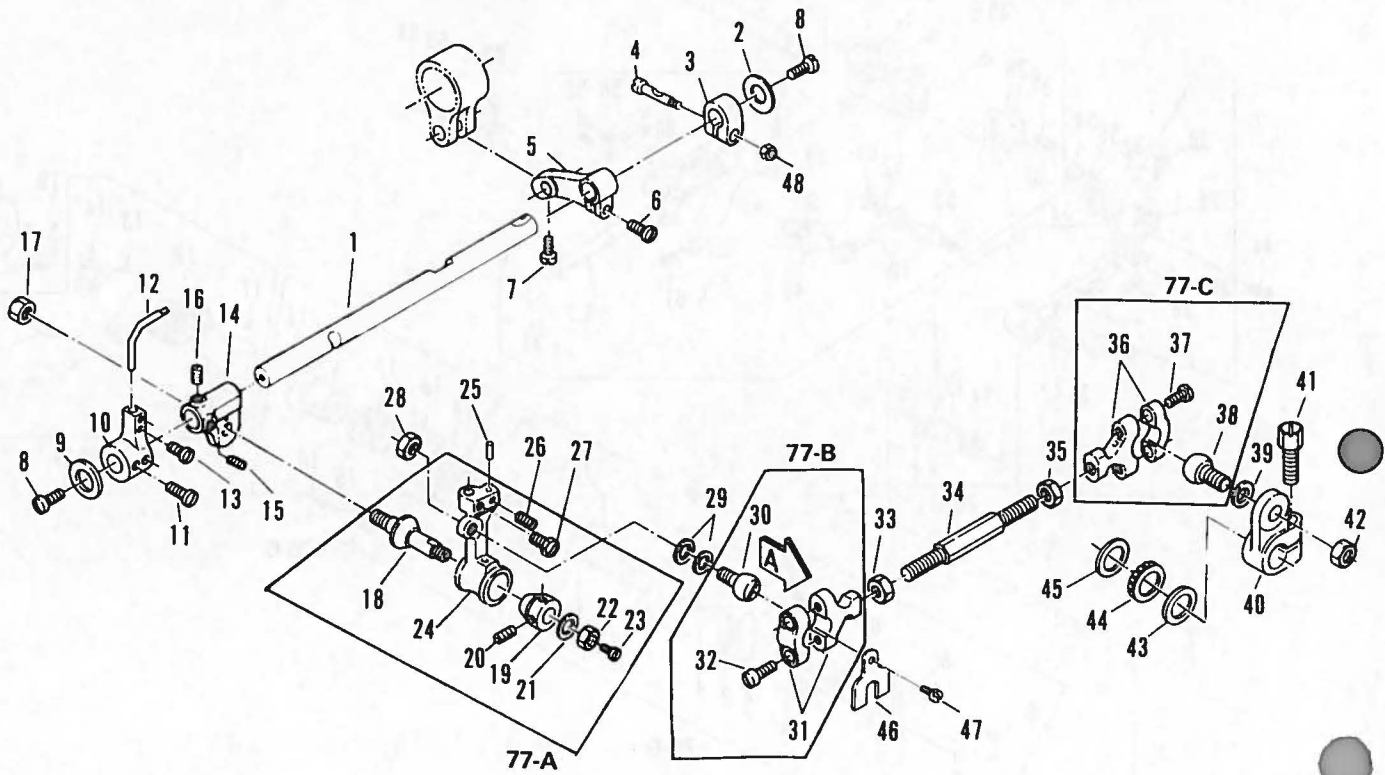
Ref. No.	Part No.	Part Name	Q'ty	Ref. No.	Part No.	Part Name	Q'ty
* 1	73-113	Needle bar connection	1	* 26	69-141	Balance wheel	1
2	84-572	Screw	1	* 27	84-761	Screw	2
3	84-365	Screw	1	28			
4	66-111	Needle bar connecting link	1	29			
5	71-432	Needle bar connecting pin	2	30	69-208	Pulley	1
6	23-341	Felt	2	31	85-114	Screw	2
* 7	69-105	Needle lever	1	32	23-197	O-ring	1
8	84-365	Screw	1	33	69-305	Flange E	1
* 9	81-113	Needle lever bushing	1	34	84-566	Screw	3
*10	71-933	Needle lever stud	1	35	92-231	Bearing	1
*11	23-195	O-ring	1	*36	75-113	Crank shaft collar	1
*12	81-412	Needle lever stud bushing	1	37	84-761	Screw	2
*13	39-107	Oil seal plate	1	38	31-410	Worm wheel	1
*14	23-260	Gasket	1	39	84-718	Screw	2
*15	85-182	Screw	1	40	75-101	Joint collar	2
16	85-114	Screw	2	41	85-113	Screw	12
17	85-212	Screw	2	42	71-870	Crank shaft C small	1
18	61-722	Needle lever connecting rod	1	43	63-512	Looper driving lever ball joint B	1
*19	63-721	Ball joint	1	44	84-568	Screw	2
*20	84-586	Screw	2	45	84-567	Screw	2
*21	65-311	Connecting bar	2	46	69-121	Eccentric guide fork	1
*22	63-331	Ball joint	1	47	84-591	Screw	1
*23	91-011	Needle bearing	28	48	61-713	Looper driving lever connecting rod	1
*24	71-874	Crank shaft 7M	1	49	71-612	Looper driving shaft	1
25	75-332	Washer	1	50	75-332	Washer	1
* 75-A	60-971	Needle lever ass'y					
* 75-B	60-340	Needle bar connection ass'y					
* 75-C	70-037	Crank shaft 7M ass'y					
75-D	60-375	Looper driving ball joint ass'y					

6. Feed rocker (送り機構)



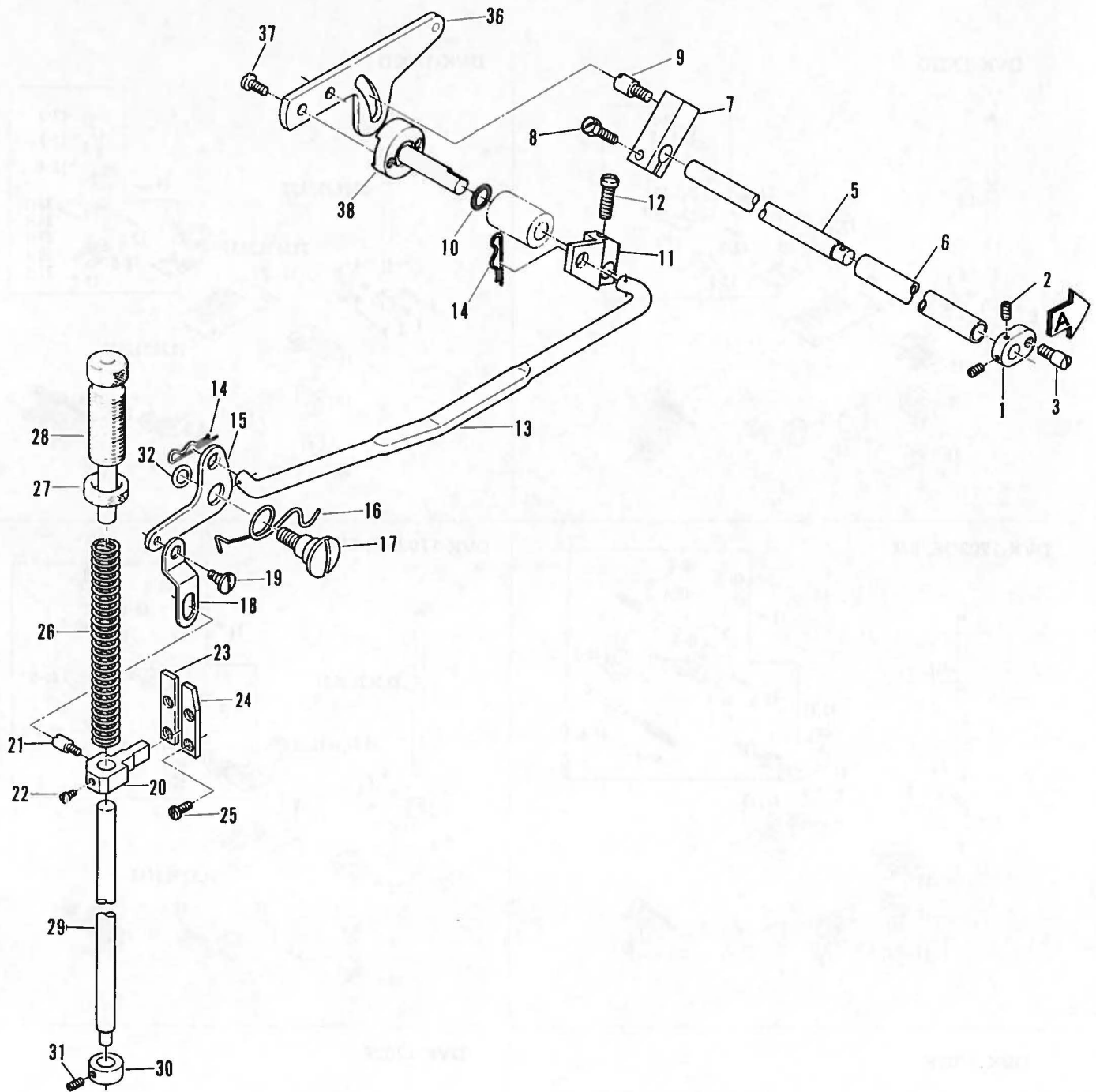
Ref. No.	Part No.	Part Name	Q'ty	Ref. No.	Part No.	Part Name	Q'ty
* 1	71-781	Main shaft 8A (1701,1702,1703,D,F type)	1	33	75-372	Washer	2
2	51-036	Stitch regulating stud cup	1	* 34	51-102	Differential feed rocker	1
3	23-197	O-ring	1	35	84-571	Screw	2
4	23-393	Felt	1	* 36	51-105	Feed rocker segment shot plate	1
5	51-013	Feed crank adjusting post	1	37	84-363	Screw	3
6	85-624	Screw	1	* 38	71-531	Shaft	1
7	84-383	Screw	1	39			
8	51-031	Main shaft plate	1	* 40	71-647	Feed rocker arm shaft	1
9	84-661	Screw	4	41	75-132	Collar	1
* 10	61-322	Feed eccentric 0.9	1	42	84-761	Screw	1
11	84-715	Screw	4	43	84-574	Screw	1
12	91-406	Bearing	2	44	84-576	Screw	1
13	63-232	Eccentric link	2	45			
14	93-406	Snap ring	2	* 46	51-103	Main differential feed	1
15	71-431	Eccentric link pin	2	47	84-512	Screw	1
16	23-341	Felt	2	* 48	51-109	Differential feed bar guide	1
* 17	61-312	Looper avoid eccentric 0.8	1	49	84-379	Screw	2
18	75-114	Collar	1	* 50	66-506	Feed crank link	1
19	84-511	Screw	2	51	86-311	Nut	1
20	49-133	Looper thread double disc take up	1	52	75-458	Washer	1
21	84-711	Screw	2	* 53	51-113	Crank set pin	1
22	84-576	Screw	1	54	75-458	Washer	1
23	75-243	Feed crank link collar	1	55	86-411	Nut	1
24	91-271	Bearing	1	* 56	51-120	Front feed dog holder bracket	1
25	75-453	Washer	1	57	84-363	Screw	1
26	86-412	Nut	1	* 58	51-111	Differential feed bar guide	2
* 27	67-312	Feed rocker arm	1	* 59	84-164	Screw	4
28	84-366	Screw	1	60	84-462	Screw	1
* 29	63-352	Feed rocker link	1	61	84-366	Screw	1
30	84-814	Screw	1	* 62	84-162	Screw	2
31	71-431	Feed rocker link pin	1	63	75-455	Washer	1
* 32	93-261	Snap link	1	64	84-614	Screw	1
* 33				65	81-141	Bushing	2
*76-A	50-131	Feed rocker ass'y					
*76-B	60-720	Feed rocker arm ass'y					
*76-C	60-090	Feed eccentric link ass'y					
76-D	60-780	Looper avoid eccentric link ass'y					
*76-E	70-181	Main shaft 8A					

7. Looper (ルーパー機構)



Ref. No.	Part No.	Part Name	Q'ty	Ref. No.	Part No.	Part Name	Q'ty
1	71-561	Looper holder shaft	1	25	71-216	Adjust pin	1
2	75-371	Washer	1	26	84-161	Screw	1
3	75-139	Looper holder shaft collar	1	27	84-616	Screw	1
4	71-454	Screw	1	28	86-413	Nut	1
5	67-132	Looper avoid lever	1	29	75-453	Washer	2
6	84-612	Screw	1	30	61-823	Connecting ball	1
7	84-366	Screw	1	31	63-812	Connecting rod	1
8	84-761	Screw	2	32	84-572	Screw	2
9	75-371	Washer	1	33	86-412	Nut (left)	1
10	18-722	Needle bar guide bracket	1	34	65-435	Connecting bar	1
11	84-616	Screw	2	35	86-411	Nut	1
12	18-721	Needle bar guide	1	36	63-811	Connecting rod	1
13	84-162	Screw	2	37	84-572	Screw	2
14	19-303	Looper rocker	1	38	61-823	Connecting ball	1
15	84-767	Screw	1	39	75-401	Washer	1
16	84-766	Screw	1	40	67-225	Looper driving lever E	1
17	86-502	Nut	1	41	85-211	Screw	1
18	71-901	Looper rocker tapered pin	1	42	86-411	Nut	1
19	81-401	Tapered pin bushing	1	43	75-331	Washer	1
20	84-521	Screw	2	44	92-231	Bearing	1
21	75-452	Washer	1	45	75-327	Washer	1
22	86-501	Nut	1	46	35-199	Oil guide	1
23	84-361	Screw	1	47	84-164	Screw	1
24	19-315	Looper holder C	1	48	86-314	Nut	1
77-A	10-915	Looper holder E ass'y					
77-B	60-382	Looper connecting link ass'y					
77-C	60-381	Looper connecting link, right ass'y					

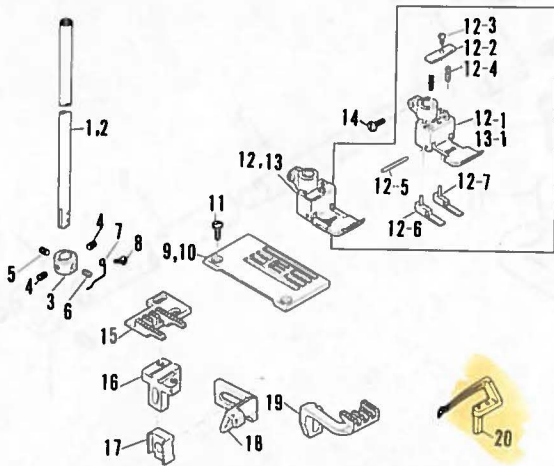
8. Foot lifter components (押え上げ機構)



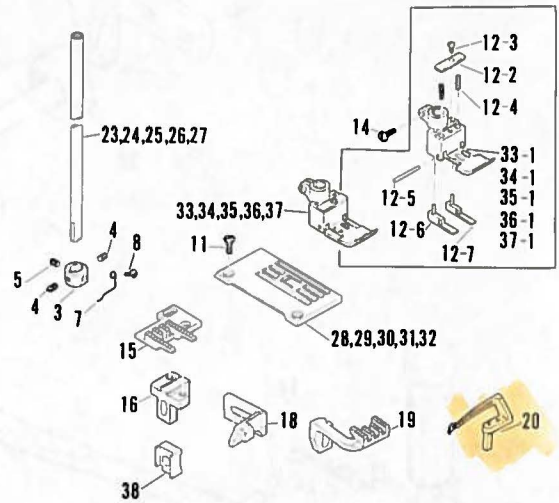
Ref. No.	Part No.	Part Name	Q'ty	Ref. No.	Part No.	Part Name	Q'ty
1	77-101	Lifter lever connecting	1	21	84-561	Screw	1
2	84-512	Screw	2	22	84-563	Screw	1
3	84-562	Screw	1	23	77-135	Presser bar connecting guide left	1
4				24	77-136	Presser bar connecting guide right	1
5	77-111	Foot lifter crankshaft B	1	25	84-362	Screw	4
6	77-121	Crankshaft pipe	1	26	79-121	Presser bar spring	1
7	77-103	Adjusting post supporter	1	27	86-851	Nut	1
8	84-812	Screw	1	28	85-762	Presser bar screw	1
9	84-561	Screw	1	29	71-542	Presser bar (small)	1
10	23-189	O-ring	1	30	75-154	Collar	1
11	77-107	Presser foot lifter connecting plate	1	31	84-511	Screw	1
12	84-764	Screw	1	32	75-453	Washer	1
13	77-116	Lifter lever connecting bar	1	33			
14	93-611	Snap pin A	2	34			
15	77-109	Lifter lever spring supporter	1	35			
16	79-222	Lifter lever spring	1	36	77-143	Presser foot lifter lever	1
17	84-781	Screw	1	37	84-566	Screw	2
18	77-131	Lifter lever link	1	38	77-114	Presser foot lifter lever post	1
19	84-581	Screw	1	39			
20	77-133	Presser bar guide	1	40			

9. Gauge parts (1) (ゲージ関係(1))

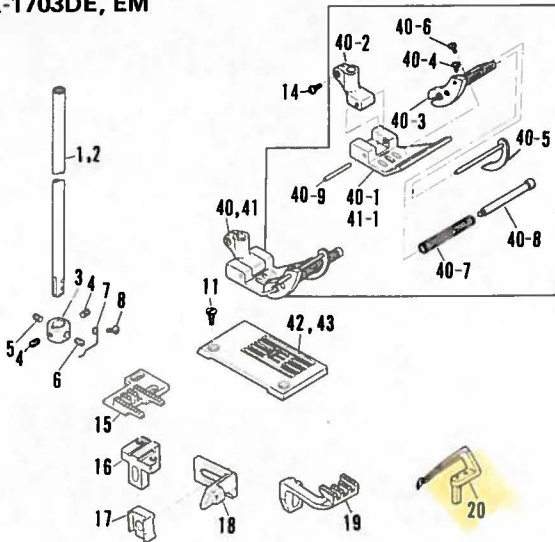
DVK-1703D



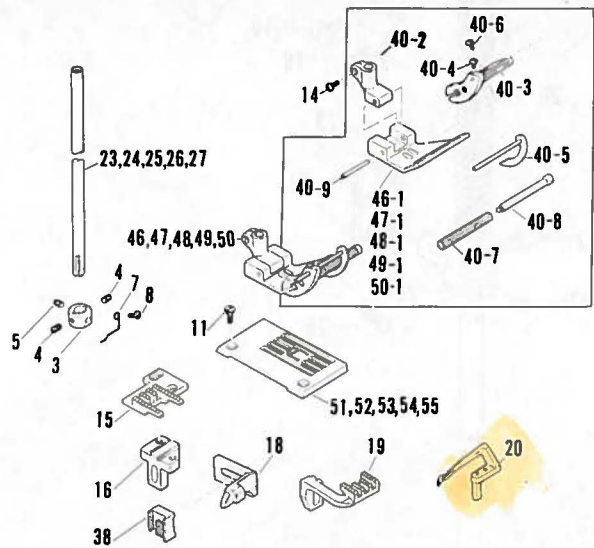
DVK-1702D



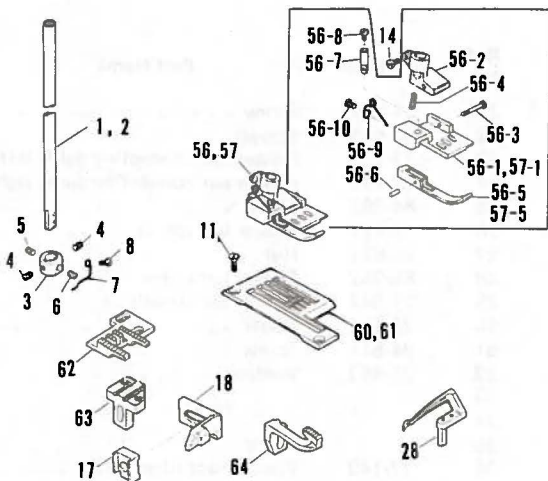
DVK-1703DE, EM



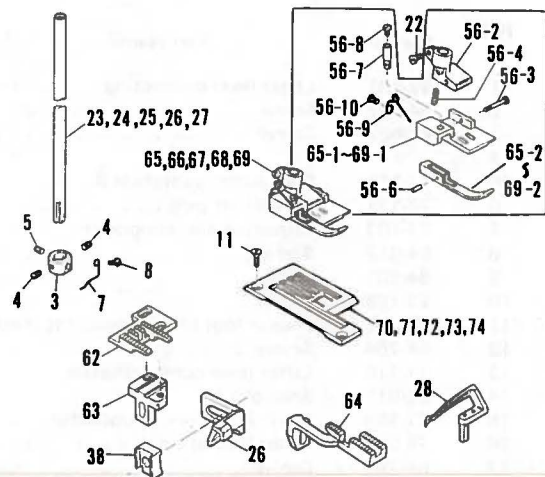
DVK-1702DE, EM



DVK-1703F



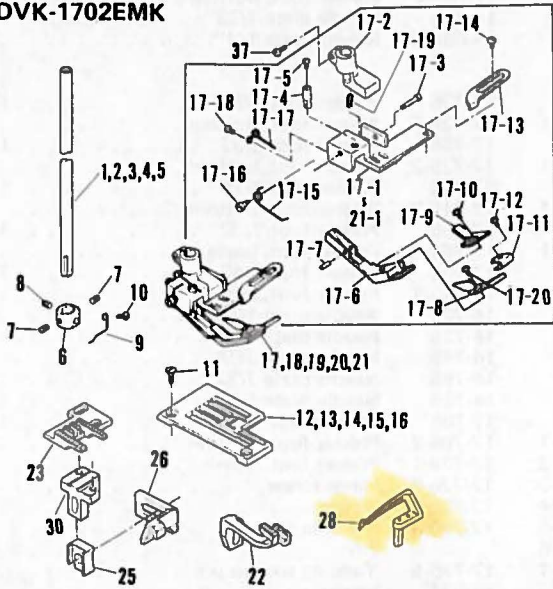
DVK-1702F



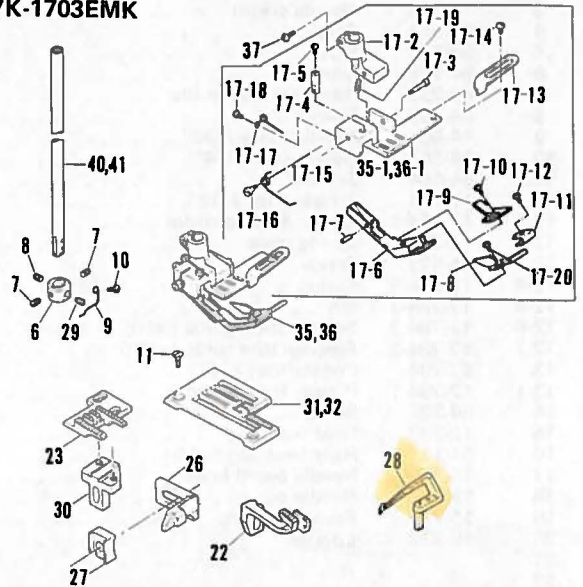
Ref. No.	Part No.	Part Name	Q'ty	Ref. No.	Part No.	Part Name	Q'ty
1	11-735	Needle bar 7/32"	1	41	17-795	Presser foot 1/4"	1 set
2	11-736	Needle bar 1/4"	1	41-1	17-795-2	Presser foot, bottom	1
3	12-702	Needle clamp	1	42	14-855	Needle plate 7/32"	1
4	84-511	Screw	2	43	14-865	Needle plate 1/4"	1
5	84-513	Screw	1	44			
6	84-168	Screw	1	45			
7	45-232	Needle thread guide	1	46	17-725	Presser foot 1/8"	1 set
8	84-163	Screw	1	46-1	17-725-2	Presser foot, bottom	1
9	14-854	Needle plate 7/32"	1	47	17-735	Presser foot 5/32"	1 set
10	14-864	Needle plate 1/4"	1	47-1	17-735-2	Presser foot, bottom	1
11	84-464	Screw	2	48	17-745	Presser foot 3/16"	1 set
12	17-784	Presser foot 7/32"	1 set	48-1	17-745-2	Presser foot, bottom	1
12-1	17-784-1	Presser foot, bottom	1	49	17-755	Presser foot 7/32"	1 set
12-2	17-784-4	Spring plate	1	49-1	17-755-2	Presser foot, bottom	1
12-3	85-623	Screw	1	50	17-765	Presser foot 1/4"	1 set
12-4	17-784-5	Spring	1	50-1	17-765-2	Presser foot, bottom	1
12-5	17-784-3	Pin	1	51	14-725	Needle plate 1/8"	1
12-6	17-784-2	Feed section guide (left)	1	52	14-735	Needle plate 5/32"	1
12-7	17-784-2	Feed section guide (right)	1	53	14-745	Needle plate 3/16"	1
13	17-794	Presser foot 1/4"	1 set	54	14-755	Needle plate 7/32"	1
13-1	17-794-1	Presser foot, bottom	1	55	14-765	Needle plate 1/4"	1
14	84-382	Screw	1	56	17-786	Presser foot 7/32"	1 set
15	15-753	Rear feed dog	1	56-1	17-786-2	Presser foot, bottom	1
16	51-117	Rear feed dog holder	1	56-2	17-726-1	Presser foot, shank	1
17	18-709	Needle guard holder	1	56-3	17-726-4	Hinge screw	1
18	18-707	Needle guard	1	56-4	17-726-7	Spring	1
19	15-723	Front feed dog	1	56-5	17-726-3	Yielding section	1
20	19-713	Looper	1	56-6			
21				56-7	17-726-5	Yielding section pin	1
22				56-8	85-621	Screw	1
23	11-722	Needle bar 1/8"	1	56-9	17-728-8	Spring	1
24	11-723	Needle bar 5/32"	1	56-10	84-161	Screw	1
25	11-724	Needle bar 3/16"	1	57	17-796	Presser foot 1/4"	1 set
26	11-725	Needle bar 7/32"	1	57-1	17-766-2	Presser foot bottom	1
27	11-726	Needle bar 1/4"	1	57-5	17-796-3	Yielding section	1
28	14-724	Needle plate 1/8"	1	58			
29	14-734	Needle plate 5/32"	1	59			
30	14-744	Needle plate 3/16"	1	60	14-856	Needle plate 7/32"	1
31	14-754	Needle plate 7/32"	1	61	14-866	Needle plate 1/4"	1
32	14-764	Needle plate 1/4"	1	62	15-756	Rear feed dog	1
33	17-724	Presser foot 1/8"	1 set	63	51-118	Rear feed dog holder	1
33-1	17-724-1	Presser foot, bottom	1	64	15-726	Front feed dog	1
34	17-734	Presser foot 5/32"	1 set	65	17-726	Presser foot 1/8"	1 set
34-1	17-734-1	Presser foot, bottom	1	65-1	17-726-2	Presser foot bottom	1
35	17-744	Presser foot 3/16"	1 set	65-2	17-726-3	Yielding section	1
35-1	17-744-1	Presser foot, bottom	1	66	17-736	Presser foot 5/32"	1 set
36	17-754	Presser foot 7/32"	1 set	66-1	17-736-2	Presser foot bottom	1
36-1	17-754-1	Presser foot, bottom	1	66-2	17-736-3	Yielding section	1
37	17-764	Presser foot 1/4"	1 set	67	17-746	Presser foot 3/16"	1 set
37-1	17-764-1	Presser foot, bottom	1	67-1	17-746-2	Presser foot bottom	1
38	18-708	Needle guard holder	1	67-2	17-746-3	Yielding section	1
39				68	17-756	Presser foot 7/32"	1 set
40	17-785	Presser foot 7/32"	1 set	68-1	17-756-2	Presser foot bottom	1
40-1	17-785-2	Presser foot, bottom	1	68-2	17-756-3	Yielding section	1
40-2	17-785-1	Presser foot, shank	1	69	17-766	Presser foot 1/4"	1 set
40-3	17-785-3	Guide	1	69-1	17-766-2	Presser foot bottom	1
40-4	84-364	Screw	1	69-2	17-766-3	Yielding section	1
40-5	17-785-4	Slide guide	1	70	14-726	Needle plate 1/8"	1
40-6	85-611	Screw	1	71	14-736	Needle plate 5/32"	1
40-7	17-785-6	Roller	1	72	14-746	Needle plate 3/16"	1
40-8	17-785-5	Roller shaft	1	73	14-756	Needle plate 7/32"	1
40-9		Pin	1	74	14-766	Needle plate 1/4"	1

10. Gauge parts (2) (ゲージ関係(2))

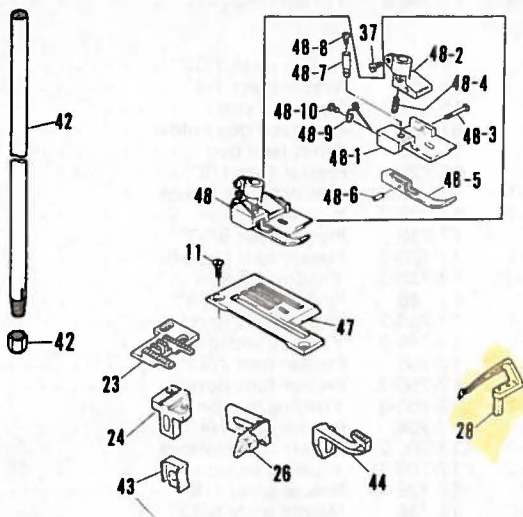
DVK-1702EMK



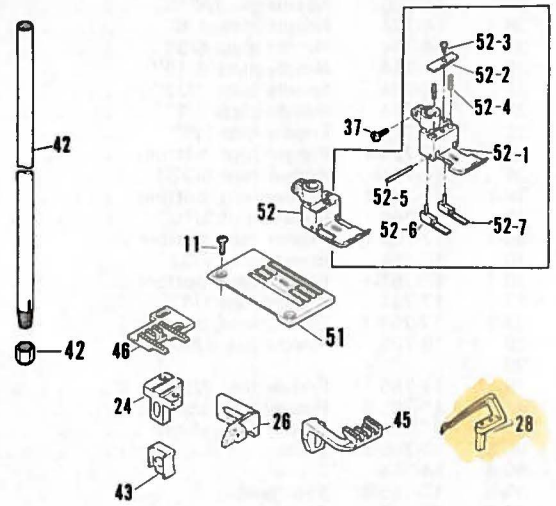
DVK-1703EMK



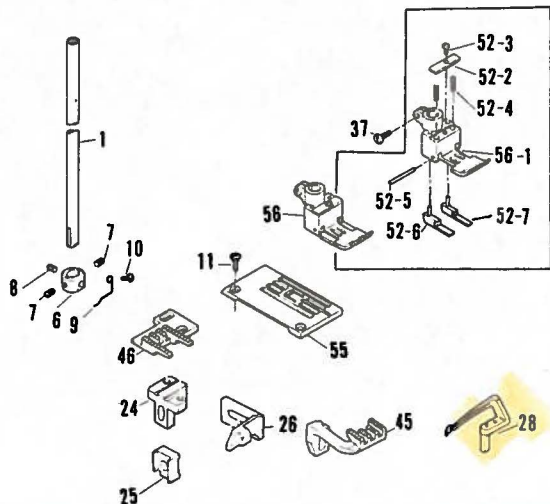
DVK-1701F



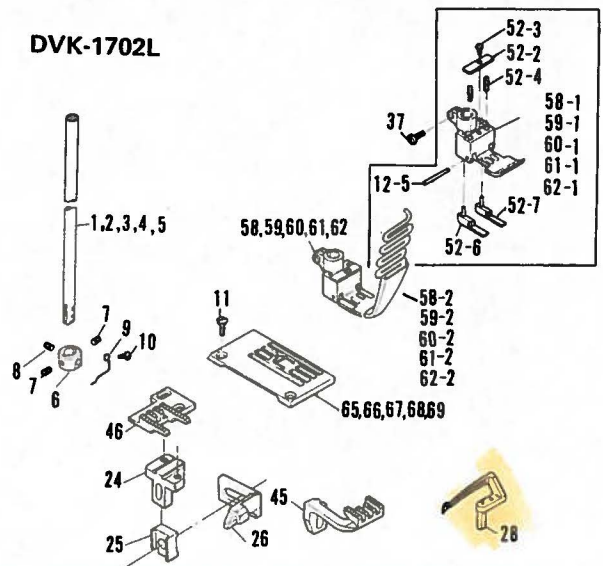
DVK-1701D



DVK-1702ML



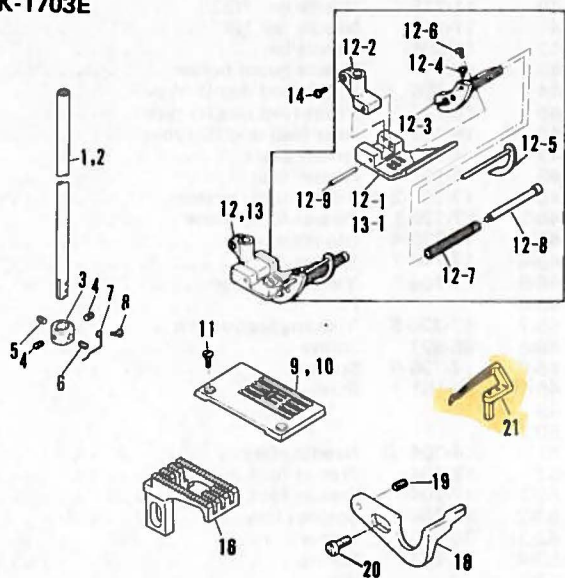
DVK-1702L



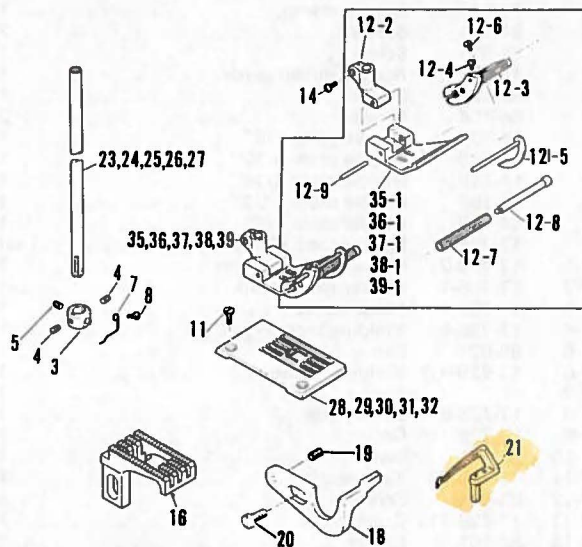
Ref. No.	Part No.	Part Name	Q'ty	Ref. No.	Part No.	Part Name	Q'ty
1	11-722	Needle bar 1/8"	1	37	84-382	Screw	1
2	11-723	Needle bar 5/32"	1	38			
3	11-724	Needle bar 3/16"	1	39			
4	11-725	Needle bar 7/32"	1	40	11-735	Needle bar 7/32"	1
5	11-726	Needle bar 1/4"	1	41	11-736	Needle bar 1/4"	1
6	12-702	Needle clamp	1	42	11-504	Needle bar	1
7	84-511	Screw	2	43	18-710	Needle guard holder	1
8	84-513	Screw	1	44	15-726	Front feed dog (F type)	1
9	45-232	Needle thread guide	1	45	15-723	Front feed dog (D type)	1
10	84-163	Screw	1	46	15-753	Rear feed dog (D type)	1
11	84-464	Screw	2	47	14-703△	Needle plate	1
12	14-728	Needle plate 1/8"	1	48	17-703	Presser foot	1 set
13	14-738	Needle plate 5/32"	1	48-1	17-703-2	Presser foot, bottom	1
14	14-748	Needle plate 3/16"	1	48-2	17-726-1	Presser foot, shank	1
15	14-758	Needle plate 7/32"	1	48-3	17-726-4	Hinge screw	1
16	14-768	Needle plate 1/4"	1	48-4	17-726-7	Spring	1
17	17-728	Presser foot 1/8"	1 set	48-5	17-766-3	Yielding section	1
17-1	17-728-2	Presser foot, bottom	1	48-6		Pin	1
17-2	17-786-1	Presser foot, shank	1	48-7	17-726-5	Yielding section pin	1
17-3	17-786-4	Hinge screw	1	48-8	85-621	Screw	1
17-4	17-786-5	Yielding section pin	1	48-9	17-726-6	Spring	1
17-5	85-621	Screw	1	48-10	84-161	Screw	1
17-6	17-728-4△	Yielding section	1	49			
17-7		Pin	1	50			
17-8	17-728-6	Slide guide	1	51	14-704	Needle plate	1
17-9	17-728-7△	Guide	1	52	17-704	Presser foot	1 set
17-10	84-161	Screw	1	52-1	17-704-1	Presser foot, bottom	1
17-11	17-728-10	Tape section	1	52-2	17-784-4	Spring plate	1
17-12	85-611	Screw	1	52-3	85-623	Screw	1
17-13	17-728-11	Guide plate	1	52-4	17-784-5	Spring	1
17-14	84-161	Screw	1	52-5		Pin	1
17-15	17-728-9	Spring	1	52-6	17-784-2	Feed section guide (left)	1
17-16	84-171	Screw	1	52-7	17-784-2	Feed section guide (right)	1
17-17	17-728-8	Spring	1	53			
17-18	84-161	Screw	1	54			
17-19	17-726-7	Spring	1	55	14-723	Needle plate 1/8"	1
17-20	84-364	Screw	1	56	17-723	Presser foot 1/8"	1 set
18	17-738	Presser foot 5/32"	1 set	56-1	17-723-1	Presser foot, bottom	1
18-1	17-738-2	Presser foot, bottom	1	57			
19	17-748	Presser foot 3/16"	1 set	58	17-724	Presser foot 1/8" + Folder	1 set
19-1	17-748-2	Presser foot, bottom	1	58-1	17-724-1	Presser foot, bottom	1
20	17-758	Presser foot 7/32"	1 set	58-2	7115	Folder	1
20-1	17-758-2	Presser foot, bottom	1	59	17-734	Presser foot 5/32" + Folder	1 set
21	17-768	Presser foot 1/4"	1 set	59-1	17-734-1	Presser foot, bottom	1
21-1	17-768-2	Presser foot, bottom	1	59-2	7115	Folder	1
22	15-728	Front feed dog	1	60	17-744	Presser foot 3/16" + Folder	1 set
23	15-757	Rear feed dog	1	60-1	17-744-1	Presser foot, bottom	1
24	51-117	Rear feed dog holder	1	60-2	7115	Folder	1
25	18-708	Needle guard holder	1	61	17-754	Presser foot 7/32" + Folder	1 set
26	18-707	Needle guard	1	61-1	17-754-1	Presser foot, bottom	1
27	18-709	Needle guard holder	1	61-2	7115	Folder	1
28	19-713	Looper	1	62	17-764	Presser foot 1/4" + Folder	1 set
29	84-168	Screw	1	62-1	17-764-1	Presser foot, bottom	1
30	51-118	Rear feed dog	1	62-2	7115	Folder	1
31	14-858	Needle plate 7/32"	1	63			
32	14-868	Needle plate 1/4"	1	64			
33				65	14-724	Needle plate 1/8"	1
34				66	14-734	Needle plate 5/32"	1
35	17-788	Presser foot 7/32"	1 set	67	14-744	Needle plate 3/16"	1
35-1	17-788-2	Presser foot, bottom	1	68	14-754	Needle plate 7/32"	1
36	17-798	Presser foot 1/4"	1 set	69	14-764	Needle plate 1/4"	1
36-1	17-798-2	Presser foot, bottom	1				

11. Gauge parts (3) (ゲージ関係(3))

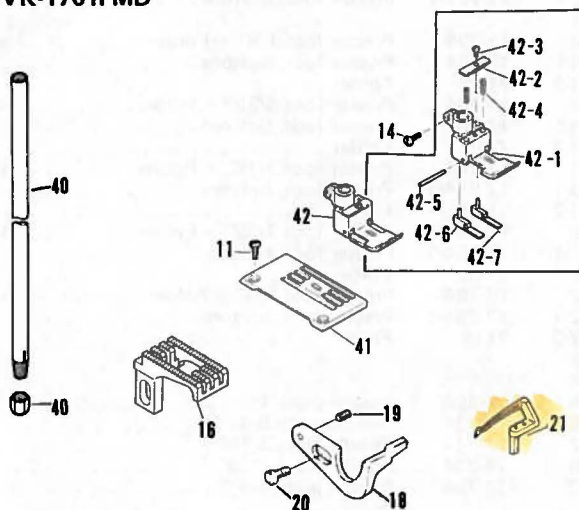
DVK-1703E



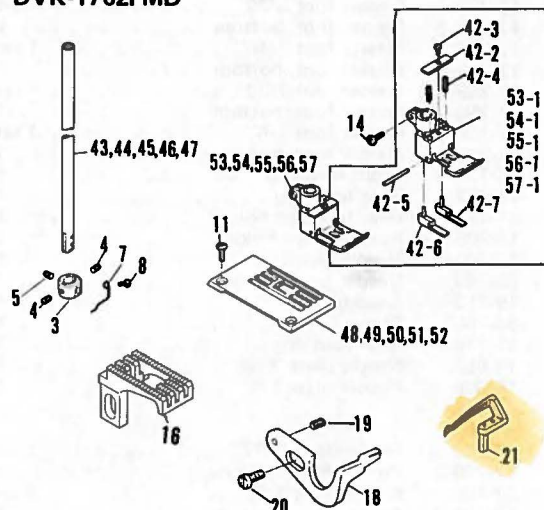
DVK-1702E



DVK-1701P
DVK-1701PMD



DVK-1702P
DVK-1702PMD



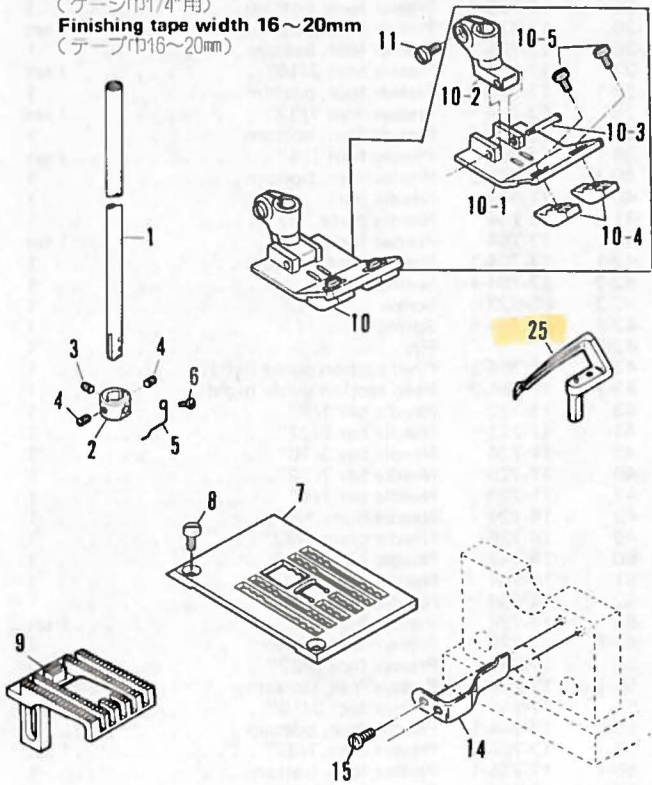
Ref. No.	Part No.	Part Name	Q'ty	Ref. No.	Part No.	Part Name	Q'ty
1	11-735	Needle bar 7/32"	1	33			
2	11-736	Needle bar 1/4"	1	34			
3	12-702	Needle clamp	1	35	17-725	Presser foot 1/8"	1 set
4	84-511	Screw	2	35-1	17-725-2	Presser foot, bottom	1
5	84-513	Screw	1	36	17-735	Presser foot 5/32"	1 set
6	84-168	Screw	1	36-1	17-735-2	Presser foot, bottom	1
7	45-232	Needle thread guide	1	37	17-745	Presser foot 3/16"	1 set
8	84-163	Screw	1	37-1	17-745-2	Presser foot, bottom	1
9	14-855	Needle plate 7/32"	1	38	17-755	Presser foot 7/32"	1 set
10	14-865	Needle plate 1/4"	1	38-1	17-755-2	Presser foot, bottom	1
11	84-464	Screw	2	39	17-765	Presser foot 1/4"	1 set
12	17-785	Presser foot 7/32"	1 set	39-1	17-765-2	Presser foot, bottom	1
12-1	17-785-2	Presser foot, bottom	1	40	11-504	Needle bar	1
12-2	17-785-1	Presser foot, shank	1	41	14-704	Needle plate	1
12-3	17-785-3	Guide	1	42	17-704	Presser foot	1 set
12-4	84-364	Screw	1	42-1	17-704-1	Presser foot, bottom	1
12-5	17-785-4	Slide guide	1	42-2	17-784-4	Spring plate	1
12-6	85-611	Screw	1	42-3	85-623	Screw	1
12-7	17-785-6	Roller	1	42-4	17-784-5	Spring	1
12-8	17-785-5	Roller shaft	1	42-5		Pin	1
12-9		Pin	1	42-6	17-784-2	Feed section guide (left)	1
13	17-795	Presser foot 1/4"	1 set	42-7	17-784-2	Feed section guide (right)	1
13-1	17-795-2	Presser foot, bottom	1	43	11-722	Needle bar 1/8"	1
14	84-382	Screw	1	44	11-723	Needle bar 5/32"	1
15				45	11-724	Needle bar 3/16"	1
16	15-704	Feed dog	1	46	11-725	Needle bar 7/32"	1
17	18-501	Needle guard	1	47	11-726	Needle bar 1/4"	1
18	18-702	Needle guard	1	48	14-724	Needle plate 1/8"	1
19	84-113	Screw	1	49	14-734	Needle plate 5/32"	1
20	84-368	Screw	1	50	14-744	Needle plate 3/16"	1
21	19-713	Looper	1	51	14-754	Needle plate 7/32"	1
22				52	14-764	Needle plate 1/4"	1
23	11-722	Needle bar 1/8"	1	53	17-724	Presser foot 1/8"	1 set
24	11-723	Needle bar 5/32"	1	53-1	17-724-1	Presser foot, bottom	1
25	11-724	Needle bar 3/16"	1	54	17-734	Presser foot 5/32"	1 set
26	11-725	Needle bar 7/32"	1	54-1	17-734-1	Presser foot, bottom	1
27	11-726	Needle bar 1/4"	1	55	17-744	Presser foot 3/16"	1 set
28	14-725	Needle plate 1/8"	1	55-1	17-744-1	Presser foot, bottom	1
29	14-735	Needle plate 5/32"	1	56	17-754	Presser foot, 7/32"	1 set
30	14-745	Needle plate 3/16"	1	56-1	17-754-1	Presser foot, bottom	1
31	14-755	Needle plate 7/32"	1	57	17-764	Presser foot 1/4"	1 set
32	14-765	Needle plate 1/4"	1	57-1	17-764-1	Presser foot, bottom	1

12. Gauge parts (4) (ゲージ関係(4))

1702BK

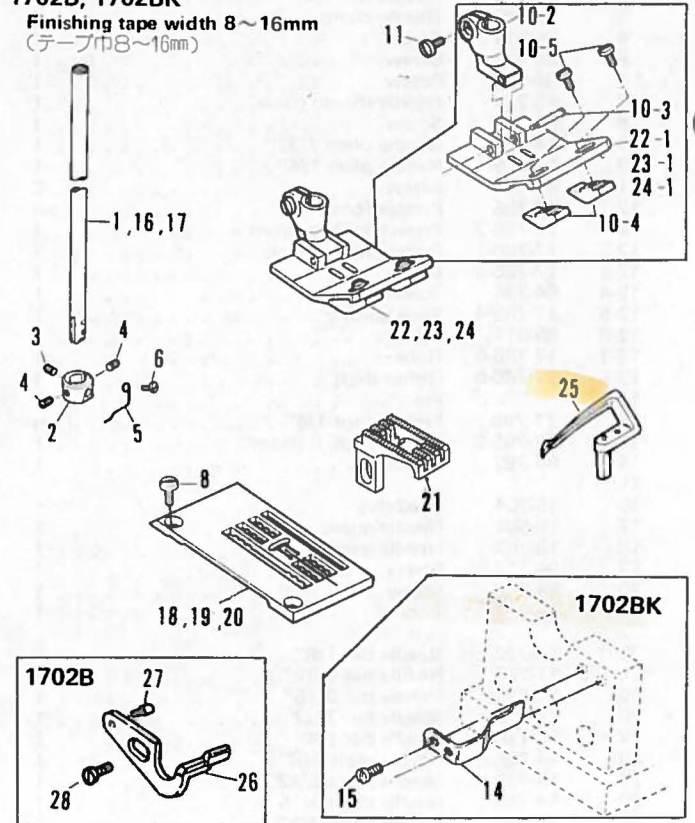
Gauge width 1/4"
(ゲージ幅1/4"用)

Finishing tape width 16~20mm
(テープ幅16~20mm)

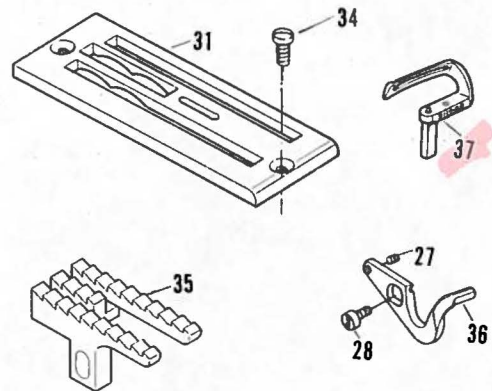
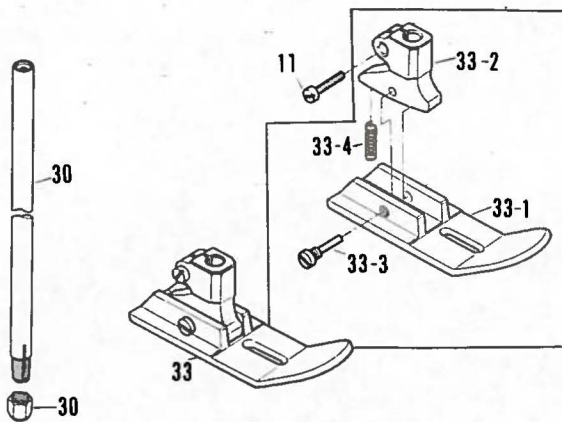


1702B, 1702BK

Finishing tape width 8~16mm
(テープ幅8~16mm)



1701EHD



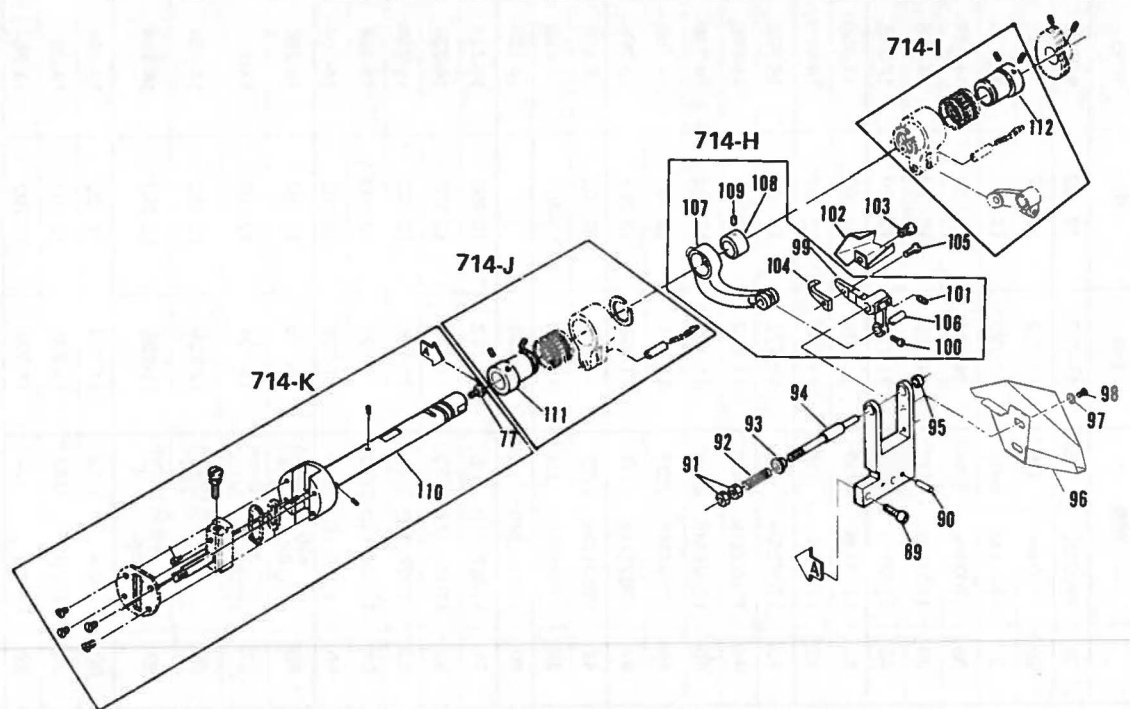
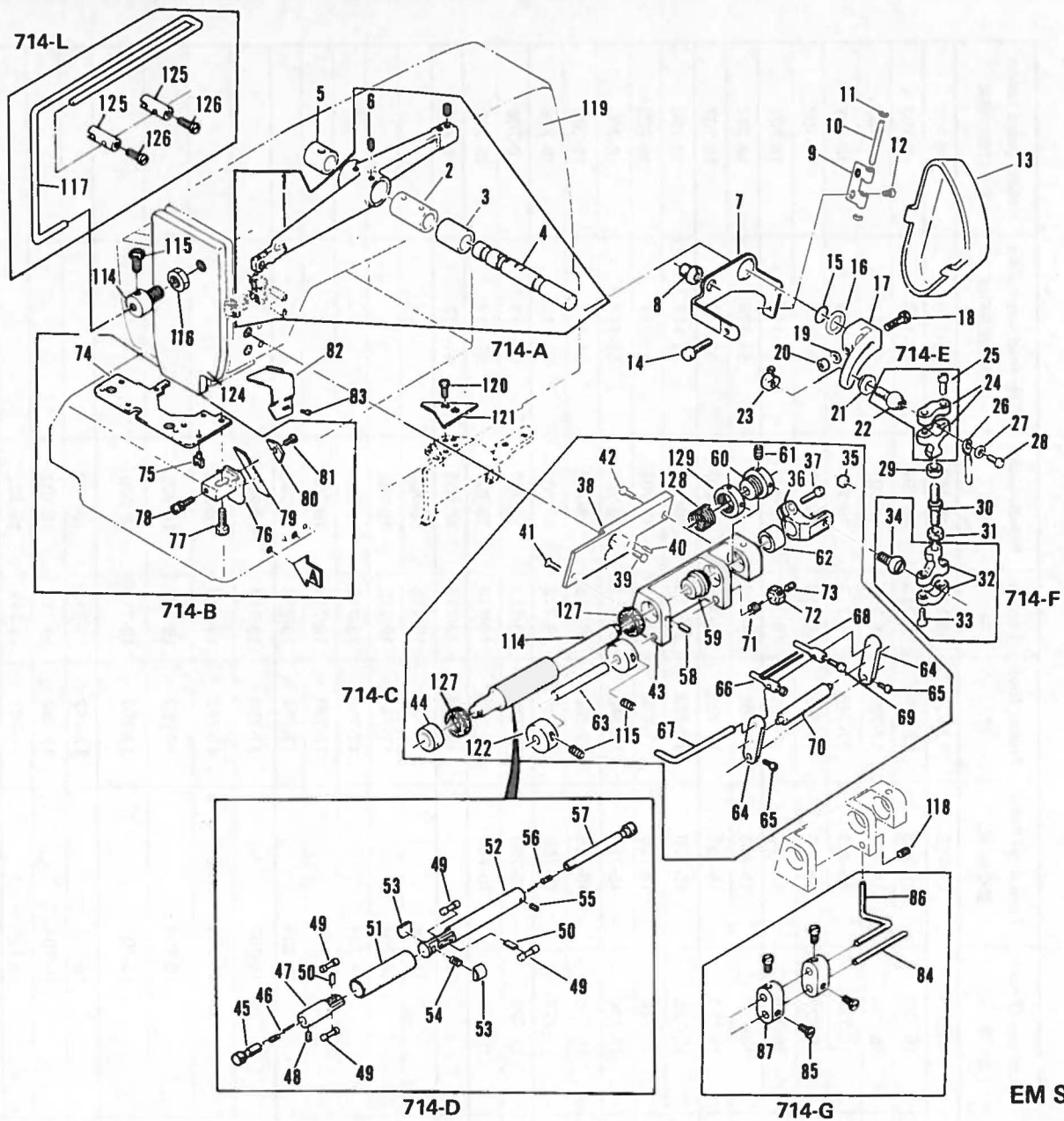
Ref. No.	Part No.	Part Name	Q'ty	Ref. No.	Part No.	Part Name	Q'ty
1	11-726	Needle bar 1/4"	1	20	14-764	Needle plate 1/4"	1
2	12-702	Needle clamp	1	21	15-704	Feed dog	1
3	84-513	Screw	1	22	17-742	Presser foot 3/16"	1 set
4	84-511	Screw	2	22-1	17-742-2	Presser foot, bottom	1
5	45-232	Needle thread guide	1	23	17-752	Presser foot 7/32"	1 set
6	84-163	Screw	1	23-1	17-752-2	Presser foot, bottom	1
7	14-760	Needle plate 1/4" (1702BK)	1	24	17-762	Presser foot 1/4"	1 set
8	84-464	Screw	2	24-1	17-762-2	Presser foot, bottom	1
9	15-760	Feed dog 1/4" (1702BK)	1	25	19-712	Looper	1
10	17-760	Presser foot 1/4" (1702BK)	1 set	26	18-702	Needle guard	1
10-1	17-760-2	Presser foot, bottom	1	27	84-113	Screw	1
10-2	17-785-1	Presser foot, shank	1	28	84-368	Screw	1
10-3	17-786-4	Hinge screw	1	29			
10-4	17-760-5	Guide	2	30	11-713	Needle bar	1
10-5	84-161	Screw	2	31	14-718	Needle plate	1
10-6				32	84-664	Screw	2
11	84-382	Screw	2	33	17-718	Presser foot	1 set
12				33-1	17-718-2	Presser foot, bottom	1
13				33-2	17-718-1	Presser foot, shank	1
14	18-705	Needle guard	1	33-3	17-718-3	Hinge screw	1
15	84-571	Screw	2	33-4		Spring	1
16	11-724	Needle bar 3/16"	1	34	84-575	Screw	2
17	11-725	Needle bar 7/32"	1	35	15-718	Feed dog	1
18	14-744	Needle plate 3/16"	1	36	18-501	Needle guard	1
19	14-754	Needle plate 7/32"	1	37	19-702	Looper	1

No.	Model 機種	Needle bar 針棒	Needle holder 針株	Needle plate 針板	Feed dog (Front) 送り歯(前)	Feed dog (Rear) 送り歯(後)	Presser foot 押え	Looper ルーバー	Needle guard 針当て	Rear feed dog holder 後送り歯取付台	Needle guard holder 針受け取付金具
1	1702D 1/8"	11-722	12-702	14-724	15-723	15-753	17-724	19-713	18-707	51-118	18-708
2	1702D 5/32"	11-723	12-702	14-734	15-723	15-753	17-734	19-713	18-707	51-118	18-708
3	1702D 3/16"	11-724	12-702	14-744	15-723	15-753	17-744	19-713	18-707	51-118	18-708
4	1702D 7/32"	11-725	12-702	14-754	15-723	15-753	17-754	19-713	18-707	51-118	18-708
5	1702D 1/4"	11-726	12-702	14-764	15-723	15-753	17-764	19-713	18-707	51-118	18-708
6	1703D 7/32"	11-735	12-702	14-854	15-723	15-753	17-784	19-713	18-707	51-118	18-709
7	1703D 1/4"	11-736	12-702	14-864	15-723	15-753	17-794	19-713	18-707	51-118	18-709
8	1702DE 1/8"	11-722	12-702	14-725	15-723	15-753	17-725	19-713	18-707	51-118	18-708
9	1702DE 5/32"	11-723	12-702	14-735	15-723	15-753	17-735	19-713	18-707	51-118	18-708
10	1702DE 3/16"	11-724	12-702	14-745	15-723	15-753	17-745	19-713	18-707	51-118	18-708
11	1702DE 7/32"	11-725	12-702	14-755	15-723	15-753	17-755	19-713	18-707	51-118	18-708
12	1702DE 1/4"	11-726	12-702	14-765	15-723	15-753	17-765	19-713	18-707	51-118	18-708
13	1703DE 7/32"	11-735	12-702	14-855	15-723	15-753	17-785	19-713	18-707	51-118	18-709
14	1703DE 1/4"	11-736	12-702	14-865	15-723	15-753	17-795	19-713	18-707	51-118	18-709
15	1701F	11-504		14-703	15-726	15-757	17-703	19-713	18-707	51-117	18-710
16	1702F 1/8"	11-722	12-702	14-726	15-726	15-756	17-726	19-713	18-707	51-117	18-708
17	1702F 5/32"	11-723	12-702	14-736	15-726	15-756	17-736	19-713	18-707	51-117	18-708
18	1702F 3/16"	11-724	12-702	14-746	15-726	15-756	17-746	19-713	18-707	51-117	18-708
19	1702F 7/32"	11-725	12-702	14-756	15-726	15-756	17-756	19-713	18-707	51-117	18-708
20	1702F 1/4"	11-726	12-702	14-766	15-726	15-756	17-766	19-713	18-707	51-117	18-708
21	1703F 7/32"	11-735	12-702	14-856	15-726	15-756	17-786	19-713	18-707	51-117	18-709
22	1703F 1/4"	11-736	12-702	14-866	15-726	15-756	17-796	19-713	18-707	51-117	18-709
23	1702E 1/8"	11-722	12-702	14-725	15-704		17-725	19-713	18-702		
24	1702E 5/32"	11-723	12-702	14-735	15-704		17-735	19-713	18-702		
25	1702E 3/16"	11-724	12-702	14-745	15-704		17-745	19-713	18-702		
26	1702E 7/32"	11-725	12-702	14-755	15-704		17-755	19-713	18-702		
27	1702E 1/4"	11-726	12-702	14-765	15-704		17-765	19-713	18-702		
28	1703E 7/32"	11-735	12-702	14-855	15-704		17-785	19-713	18-702		
29	1703E 1/4"	11-736	12-702	14-865	15-704		17-795	19-713	18-702		
30	1702L 1/8"	11-722	12-702	14-724	15-723	15-153	17-724	19-713	18-707	51-118	18-708
31	1702L 5/32"	11-723	12-702	14-734	15-723	15-753	17-734	19-713	18-707	51-118	18-708
32	1702L 3/16"	11-724	12-702	14-744	15-723	15-753	17-744	19-713	18-707	51-118	18-708
33	1702L 7/32"	11-725	12-702	14-754	15-723	15-753	17-754	19-713	18-707	51-118	18-708
34	1702L 1/4"	11-726	12-702	14-764	15-723	15-753	17-764	19-713	18-707	51-118	18-708

No.	Model 機種	Needle bar 針棒	Needle holder 針株	Needle plate 針板	Feed dog (Front) 送り歯(前)	Feed dog (Rear) 送り歯(後)	Presser foot 押え	Looper ルーバー	Needle guard 針当て	Rear feed dog holder 後送り歯取付台	Needle guard holder 針受け取付金具
35	1702ML 1/8"	11-722	12-702	14-723	15-723	15-753	17-723	19-713	18-707	51-118	18-707
36	1702EM 1/8"	11-722	12-702	14-725	15-723	15-753	17-725	19-713	18-707	51-118	18-707
37	1702EM 5/32"	11-723	12-702	14-735	15-723	15-753	17-735	19-713	18-707	51-118	18-707
38	1702EM 3/16"	11-724	12-702	14-745	15-723	15-753	17-745	19-713	18-707	51-118	18-707
39	1702EM 7/32"	11-725	12-702	14-755	15-723	15-753	17-755	19-713	18-707	51-118	18-707
40	1702EM 1/4"	11-726	12-702	14-765	15-723	15-753	17-765	19-713	18-707	51-118	18-707
41	1703EM 7/32"	11-735	12-702	14-855	15-723	15-753	17-785	19-713	18-707	51-118	18-707
42	1703EM 1/4"	11-736	12-702	14-865	15-723	15-753	17-795	19-713	18-707	51-118	18-707
43	1702EMK 1/8"	11-722	12-702	14-728	15-728	15-756	17-728	19-713	18-707	51-117	18-708
44	1702EMK 5/32"	11-723	12-702	14-738	15-728	15-756	17-738	19-713	18-707	51-117	18-708
45	1702EMK 3/16"	11-724	12-702	14-748	15-728	15-756	17-748	19-713	18-707	51-117	18-708
46	1702EMK 7/32"	11-725	12-702	14-758	15-728	15-756	17-758	19-713	18-707	51-117	18-708
47	1702EMK 1/4"	11-726	12-702	14-768	15-728	15-756	17-768	19-713	18-707	51-117	18-708
48	1703EMK 7/32"	11-735	12-702	14-858	15-728	15-756	17-788	19-713	18-707	51-117	18-708
49	1703EMK 1/4"	11-736	12-702	14-868	15-728	15-756	17-798	19-713	18-707	51-117	18-709
50	1701P. MD	11-504		14-704	15-704		17-704	19-713	18-501	51-117	18-709
51	1702P. MD 1/8"	11-722	12-702	14-724	15-704		17-724	19-713	18-702		
52	1702P. MD 5/32"	11-723	12-702	14-734	15-704		17-734	19-713	18-702		
53	1702P. MD 3/16"	11-724	12-702	14-744	15-704		17-744	19-713	18-702		
54	1702P. MD 7/32"	11-725	12-702	14-754	15-704		17-754	19-713	18-702		
55	1702P. MD 1/4"	11-726	12-702	14-764	15-704		17-764	19-713	18-702		
56	*16~20mm 1702BK 1/4"	11-726	12-702	14-760	15-760		17-760	19-712	18-705		
57	*8~16mm 1702BK 3/16"	11-724	12-702	14-744	15-704		17-742	19-712	18-705		
58	*8~16mm 1702BK 7/32"	11-725	12-702	14-754	15-704		17-752	19-712	18-705		
59	*8~16mm 1702BK 1/4"	11-726	12-702	14-764	15-704		17-762	19-712	18-705		
60	1702B 3/16"	11-724	12-702	14-744	15-704		17-742	19-712	18-702		
61	1702B 7/32"	11-725	12-702	14-754	15-704		17-752	19-712	18-702		
62	1702B 1/4"	11-726	12-702	14-764	15-704		17-762	19-712	18-702		
63	1701EHD	11-713		14-718	15-718		17-718	19-702	18-501		

*: Finishing tape width of 1702BK *印はテープ仕上り巾を示す。

14. EM・EMK attachment (EM・EMK関係)

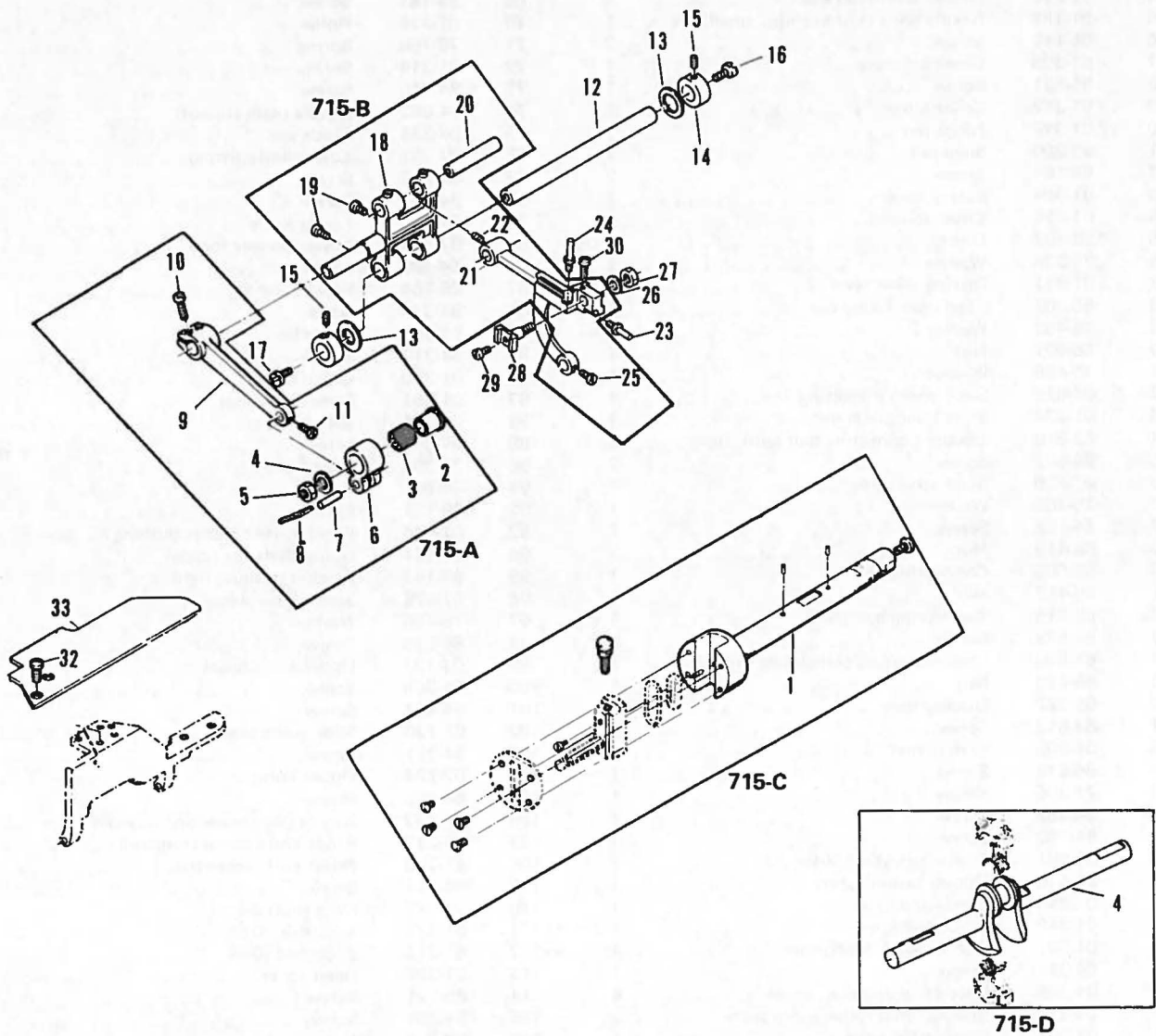


Ref. No.	Part No.	Part Name	Q'ty	Ref. No.	Part No.	Part Name	Q'ty
1	69-106	Needle lever F	1	66	01-350	Elastic guide bracket, right	1
2	81-213	Needle lever bushing R (EMK)	1	67	01-348	Rubber guide bar	1
3	81-166	Needle lever stud bushing, large (EMK)	1	68	01-349	Elastic guide bracket	1
4	71-936	Needle lever stud shaft F	1	69	84-161	Screw	2
5	81-167	Needle lever stud bushing, small	1	70	01-336	Roller	1
6	85-113	Screw	2	71	79-158	Spring	1
7	01-305	Cover set plate	1	72	01-314	Spring nut	1
8	85-531	Screw	1	73	84-715	Screw	1
9	01-317	Cover hinge	1	74	14-082	Needle plate support	1
10	01-318	Hinge pin	1	75	07-334	Guide pin	1
11	93-200	Snap pin	2	76	07-331	Lower knife fitting	1
12	84-164	Screw	2	77	84-812	Screw	1
13	01-304	Safety cover	1	78	84-377	Screw	1
14	01-316	Cover screw	1	79	07-125	Lower knife	1
15	23-197	O-ring	1	80	07-333	Lower presser foot	1
16	75-328	Washer	1	81	84-580	Screw	1
17	01-321	Driving slide lever	1	82	26-764	Front ruler B	1
18	55-061	Feed lever fixing pin	1	83	84-370	Screw	1
19	75-452	Washer	1	84	01-353	Slider bar	1
20	86-501	Nut	1	85	84-312	Screw	4
21	75-466	Washer	1	86	01-340	Guide bar	1
22	61-826	Slide lever connecting link	1	87	01-351	Slide bar holder	2
23	01-324	Slide lever guide nut	1	88	07-121	Base bracket	1
24	63-818	Looper connecting ball joint, right	1	89	84-812	Screw	2
25	84-572	Screw	2	90	71-306	Knock pin	2
26	01-325	Slide drive lever	1	91	86-501	Nut	2
27	75-465	Washer	1	92	79-171	Spring	1
28	84-162	Screw	1	93	07-144	Front knife bracket bushing	1
29	86-415	Nut	1	94	07-131	Guide shaft for holder	1
30	65-505	Connecting bar	1	95	07-143	Bracket bushing right	1
31	86-413	Nut	1	96	07-128	Slide guide plate	1
32	63-816	Connecting ball joint	1	97	75-455	Washer	2
33	84-572	Screw	2	98	84-575	Screw	2
34	61-806	Upper covering connecting link	1	99	07-123	Upper knife bracket	1
35	86-413	Nut	1	100	84-365	Screw	1
36	01-322	Driving lever	1	101	84-521	Screw	1
37	84-812	Screw	1	102	07-130	Slide guide plate	1
38	01-303	Fixing liner	1	103	84-361	Screw	1
39	84-812	Screw	1	104	07-124	Upper knife	1
40	71-306	Knock pin	1	105	84-362	Screw	1
41	84-862	Screw	1	106	71-432	Needle bar connecting link pin	1
42	84-763	Screw	1	107	63-213	Front knife connecting link	1
43	01-301	Elastic adjuster holder	1	108	61-252	Front knife eccentric	1
44	81-170	Rocker bushing, left	1	109	84-711	Screw	1
45	01-344	Snap handle, left	1	110	71-782	Main shaft 8B	1
46	01-342	Snap spring, left	1	**111	61-322	Eccentric (0.9)	1
47	01-307	Check clutch shaft, small	1	**112	61-312	Eccentric (0.8)	1
48	84-311	Screw	1	113	21-329	Head cover	1
49	01-309	Check clutch collar, small	4	114	85-721	Screw	1
50	01-312	Check clutch roller guard plate	2	115	84-361	Screw	1
51	01-331	Feed roller, large	1	116	86-721	Nut	1
52	01-306	Check clutch shaft, large	1	117	01-351	Tape guide	1
53	01-311	Thrust fiber	2	118	84-313	Screw	1
54	79-175	Fiber pressing spring	1	119	22-754	Arm hed EMK Type	1
55	84-311	Screw	1	120	84-572	Screw	2
56	01-341	Snap spring, right	1	121	21-111	Ruler plate	1
57	01-343	Snap handle, right	1	122	75-156	Guide collar	2
58	84-515	Screw	1	123	84-312	Screw	2
59	81-164	Rocker bushing, middle	1	124	21-330	Head cover EMK	1
60	75-126	Collar	1	125	01-358	Tape guide holder	2
61	84-512	Screw	2	126	84-361	Screw	2
62	81-168	Rocker bushing, right	1	127	01-326	Brake	2
63	01-346	Guide bar	1	128	79-174	Spring	1
64	01-337	Roller guard plate	2	129	87-516	Nut	1
65	84-164	Screw	4				
714-A	60-977	Needle lever ass'y		714-G	00-175	Tape guide ass'y	
714-B	10-470	Needle plate support ass'y		714-H	00-770	Upper knife ass'y	
714-C	00-170	EMK MD set		714-I	60-080	Looper avoid eccentric link ass'y	
714-D	00-171	Check clutch ass'y		714-J	60-090	Feed eccentric link ass'y	
714-E	60-385	Connecting ball joint A		714-K	70-182	Main shaft 8B (EMK) ass'y	
714-F	60-381	Connecting ball joint B		714-L	00-176	Tape guide (EMK) ass'y	

Note: Parts marked with ** are the same as those used in fundamental models (D-type or F-type)

(注) 参照番号に ** 印の付いた部品は基本機種(D-タイプまたはF-タイプ)と共通部品です。

Subclass models (サブクラス機種)
15.1702E, 1703E

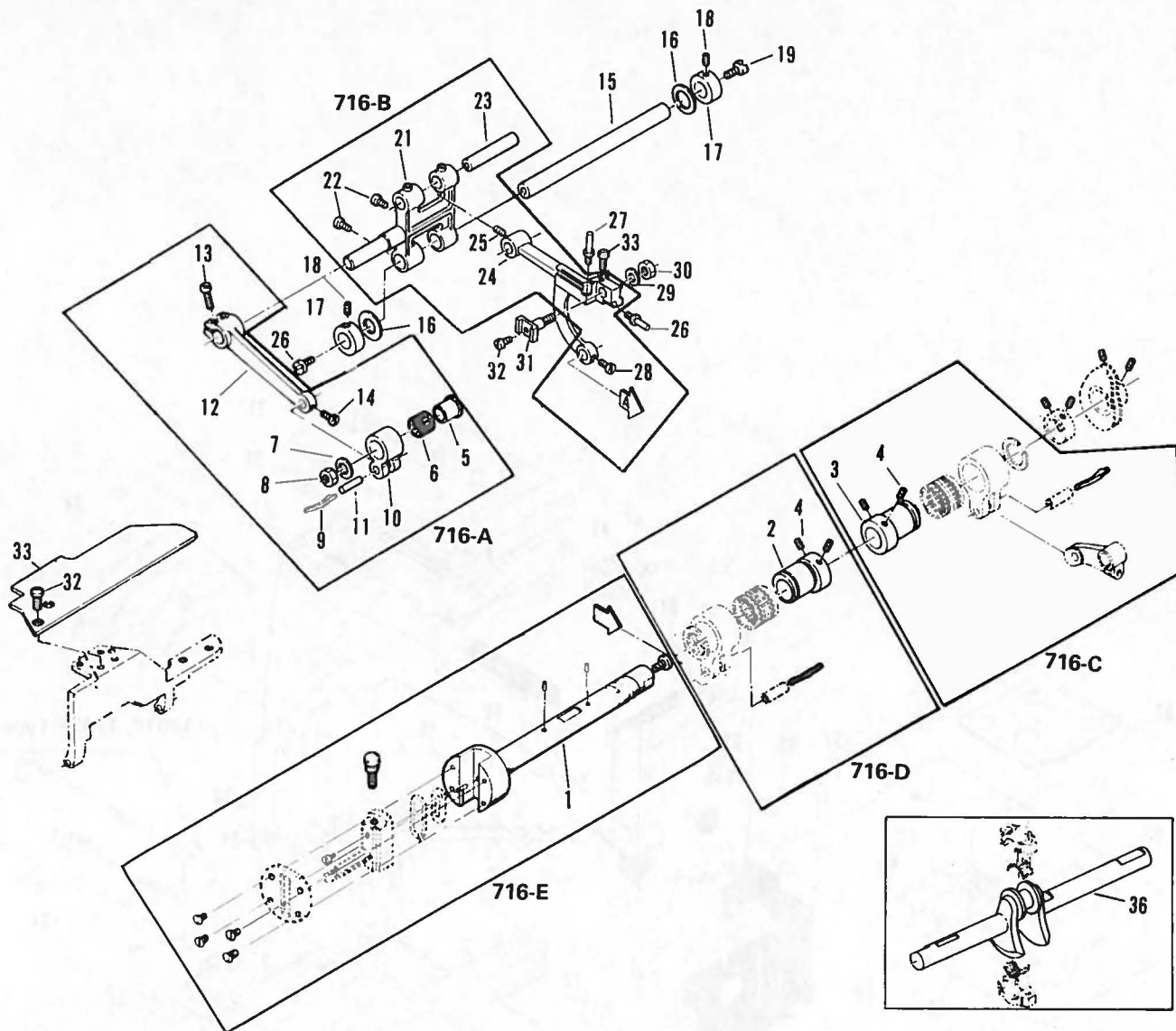


Ref. No.	Part No.	Part Name	Q'ty	Ref. No.	Part No.	Part Name	Q'ty
1	71-783	Main shaft 8C	1	18	55-041	Feed rocker arm	1
** 2	75-243	Feed crank link collar	1	19	84-571	Screw	2
** 3	91-271	Bearing	1	**20	71-531	Shaft	1
** 4	75-453	Washer	1	21	55-174	Feed bar	1
** 5	86-412	Nut	1	22	84-712	Screw	1
6	63-351	Feed rocker link	1	23	84-176	Screw	1
** 7	71-432	Eccentric link pin.	1	24	84-177	Screw	1
8	23-341	Felt	1	25	84-366	Screw	1
9	67-311	Feed rocker arm	1	26	75-381	Washer	1
10	84-612	Screw	2	27	86-501	Nut	1
**11	84-366	Screw	1	28	55-051	Feed dog holder	1
12	71-642	Feed rocker arm shaft	1	29	84-588	Screw	1
**13	75-371	Washer	2	30	84-463	Screw	1
**14	75-132	Collar	2	31	23-391	Felt	3
**15	84-761	Screw	2	**32	84-572	Screw	2
**16	84-574	Screw	1	**33	21-111	Ruler plate	1
**17	84-576	Screw	1	34	71-874	Crank shaft 7M	1
715-A	60-711	Feed rocker arm ass'y					
715-B	50-571	Feed rocker ass'y					
715-C	70-183	Main shaft 8C ass'y					
715-D	70-037	Crank shaft 7M ass'y					

NOTE: Parts marked with ** are the same as those used in fundamental models (D-type or F-type).

(注) 参照番号に ** 印の付いた部品は基本機種(D-タイプまたはF-タイプ)と共通部品です。

16.1702B

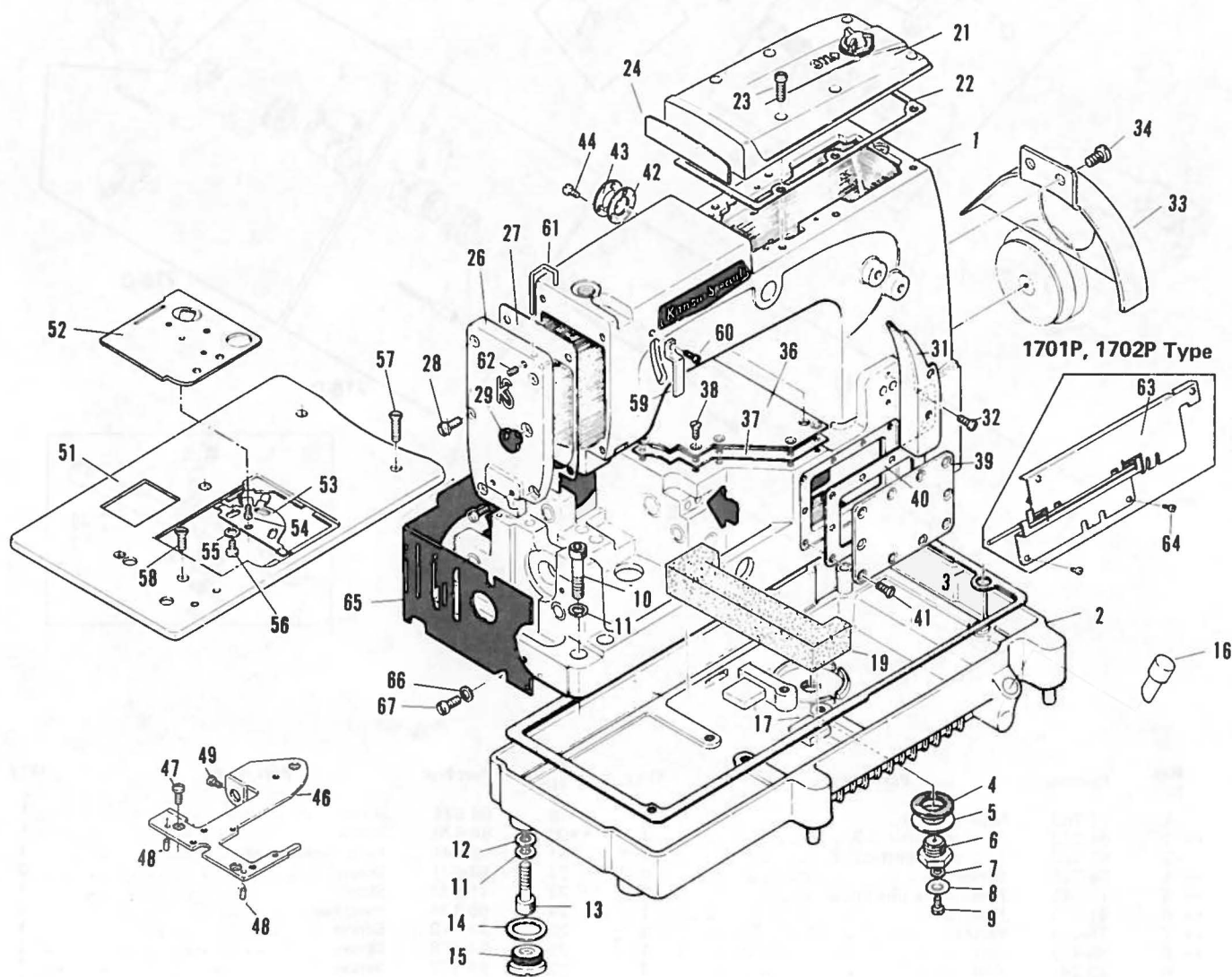


Ref. No.	Part No.	Part Name	Q'ty	Ref. No.	Part No.	Part Name	Q'ty
1	71-783	Main shaft 8C	1	**19	84-574	Screw	1
**2	61-322	Feed eccentric 0.9	1	**20	84-576	Screw	1
3	61-322	Looper eccentric 0.9	1	21	55-041	Feed rocker arm	1
**4	84-715	Screw	4	22	84-571	Screw	2
**5	75-243	Feed crank link collar	1	23	71-531	Shaft	1
**6	91-271	Bearing	1	24	55-174	Feed bar	1
**7	75-453	Washer	1	25	84-712	Screw	1
**8	86-412	Nut	1	26	84-176	Screw	1
9	23-341	Felt	1	27	84-177	Screw	1
10	63-351	Feed rocker link	1	28	84-366	Screw	1
11	71-432	Eccentric link pin.	1	29	75-381	Washer	1
12	67-311	Feed rocker arm	1	30	86-501	Nut	1
13	84-612	Screw	2	31	55-051	Feed dog holder	1
**14	84-366	Screw	1	32	84-588	Screw	1
**15	71-642	Feed rocker arm shaft	1	33	84-463	Screw	1
**16	75-371	Washer	2	**34	21-111	Ruler plate	1
**17	75-132	Collar	2	**35	84-572	Screw	1
**18	84-761	Screw	2	36	71-871	Crank shaft 7H	1
716-A	60-711	Feed rocker arm ass'y					
716-B	50-571	Feed rocker ass'y					
716-C	60-790	Looper avoid eccentric link ass'y					
716-D	60-090	Feed eccentric link ass'y					
716-E	70-183	Main shaft 8C ass'y					
716-F	70-027	Crank shaft 7H ass'y					

NOTE: Parts marked with ** are the same as those used in fundamental models (D-type or F-type).

(注) 参照番号に ** 印の付いた部品は基本機種(D-タイプまたはF-タイプ)と共通部品です。

1701P, 1702P•PMD Subclass model (サブクラス機種)
17. Housing components (カバー関係)

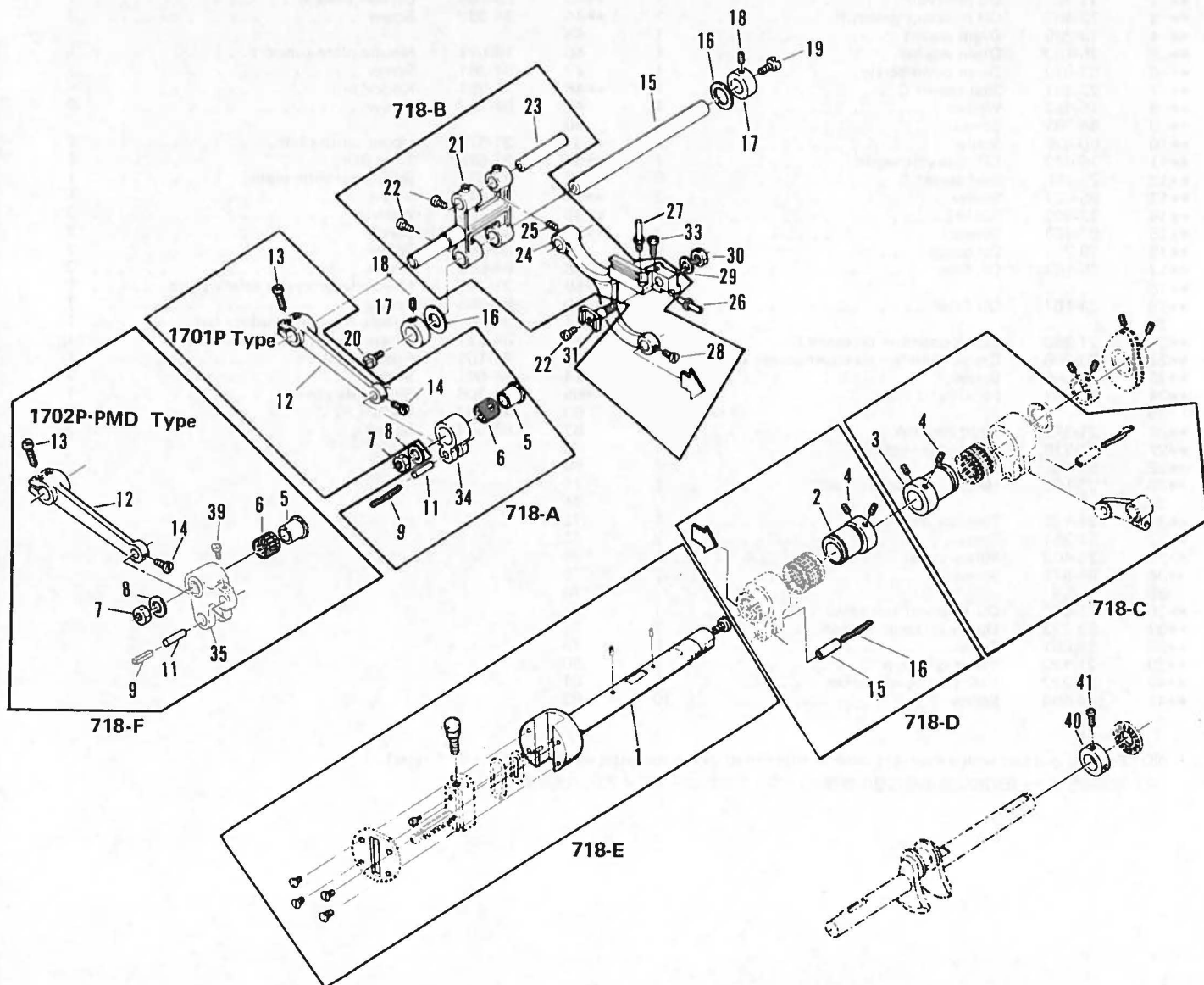


Ref. No.	Part No.	Part Name	Q'ty	Ref. No.	Part No.	Part Name	Q'ty
** 1	22-551	Arm bed (P) type	1	**42	23-263	Oil seal plate gasket	1
** 2	31-203	Oil reservoir	1	**43	39-108	Oil seal plate B	1
** 3	23-402	Oil reservoir gasket B	1	**44	84-362	Screw	3
** 4	23-299	Drain gasket	1	45			
** 5	75-469	Drain washer	1	46	14-071	Needle plate support	1
** 6	87-810	Drain cover screw	1	47	84-761	Screw	3
** 7	23-301	Seal gasket C	1	**48	71-251	Knock pin	4
** 8	75-453	Washer	1	49	84-162	Screw	2
** 9	84-761	Screw	1	50			
**10	85-628	Screw	2	**51	21-572	Upper cloth plate	1
**11	75-452	Oil reservoir washer	4	**52	21-528	Slide plate	1
**12	23-260	Seal gasket C	2	**53	21-531	Spring for slide plate	1
**13	85-627	Screw	2	**54	85-611	Screw	1
**14	23-302	Gasket	2	**55	75-454	Washer	3
**15	87-756	Screw	2	**56	84-585	Screw	3
**16	39-213	Oil gauge	1	57	84-861	Screw	3
**17	39-163	Oil filter	2	58	84-862	Screw	2
**18				**59	21-711	Needle lever eyelet safety plate	1
**19	39-161	Oil filter	1	**60	84-363	Screw	1
20				**61	21-701	Needle bar eyelet safety bar	1
**21	21-208	Crank chamber oil cover F	1	**62	84-521	Screw	1
**22	23-206	Crank chamber oil cover gasket F	1	63	21-161	Front cover	1
**23	84-566	Screw	1	64	84-571	Screw	2
**24	23-207	Packing	1	**65	21-306	Side plate cover	1
25				66	75-467	Washer	3
**26	21-316	Head cover A	1	67	84-574	Screw	3
**27	23-216	Head cover gasket	1	68			
**28	84-566	Screw	6	69			
**29	23-161	Head cover oil seal cap	1	70			
30				71			
**31	21-131	Tension disc cover	1	72			
**32	84-361	Screw	2	73			
**33	21-402	Pulley cover	1	74			
**34	84-571	Screw	2	75			
35				76			
**36	21-513	Oil reservoir top cover	1	77			
**37	23-223	Upper oil cover gasket	1	78			
**38	84-661	Screw	8	79			
**39	21-122	Front oil cover	1	80			
**40	23-232	Front oil cover gasket	1	81			
**41	84-664	Screw	10	82			

NOTE: Parts marked with ** are the same as those used in fundamental models (D-type or F-type).

(注) 参照番号に ** 印の付いた部品は基本機種(D-タイプまたはF-タイプ)と共通部品です。

18. Feed rocker (送り機構)



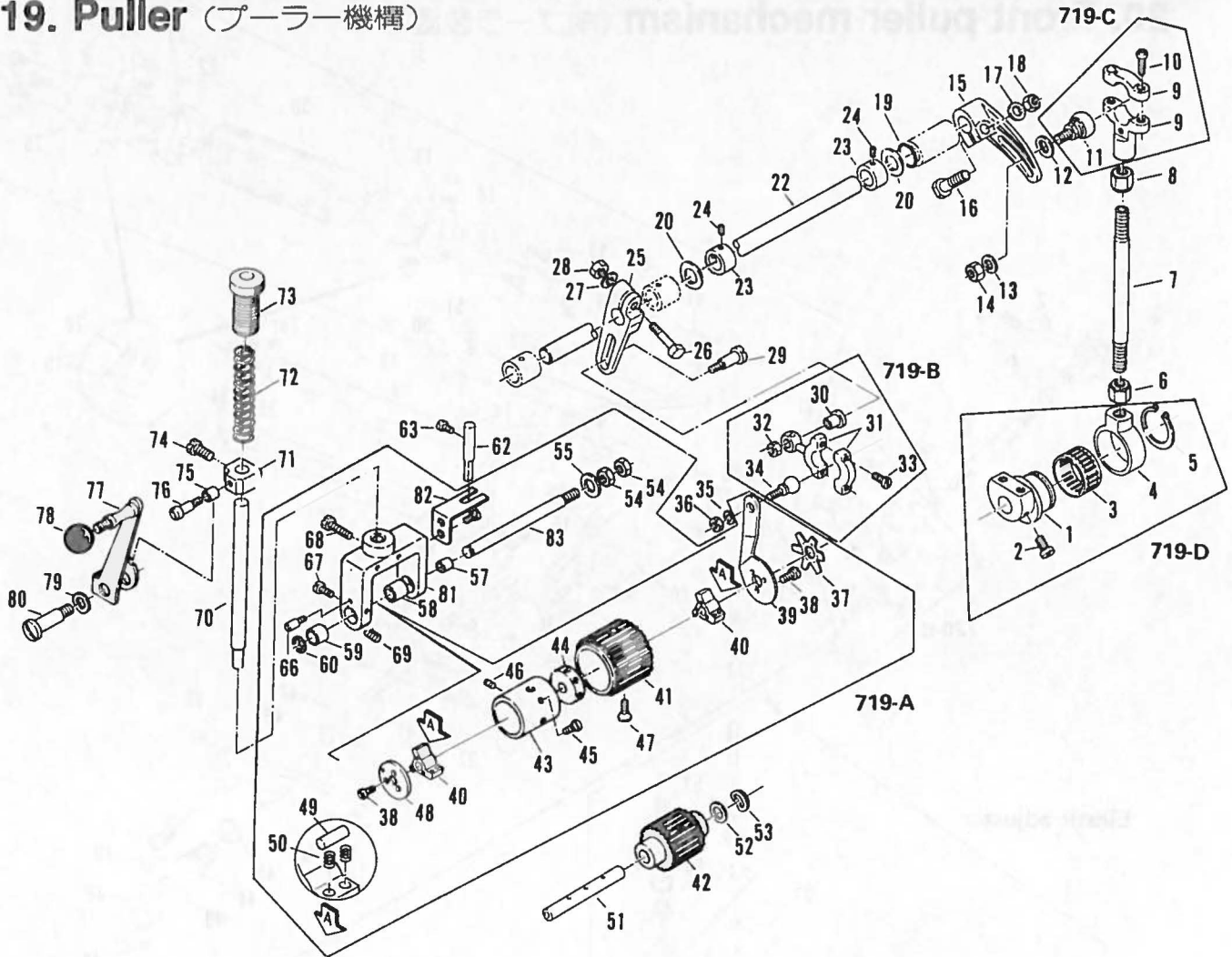
Ref. No.	Part No.	Part Name	Q'ty	Ref. No.	Part No.	Part Name	Q'ty
1	71-783	Main shaft 8C	1	22	84-571	Screw	2
** 2	61-322	Feed eccentric 0.9	1	23	71-531	Shaft	1
3	61-322	Looper eccentric 0.9	1	24	55-155	Feed bar B for puller	1
** 4	84-715	Screw	4	25	84-712	Screw	1
** 5	75-243	Feed crank link collar	1	26	84-176	Screw	1
** 6	91-271	Bearing	1	27	84-177	Screw	1
** 7	75-453	Washer	1	28	84-366	Screw	1
** 8	86-412	Nut	1	29	75-381	Washer	1
9	23-341	Felt	1	30	86-501	Nut	1
10				31	55-051	Feed dog holder	1
11	71-432	Eccentric link pin	1	32	84-588	Screw	1
12	67-311	Feed rocker arm	1	33	84-463	Screw	1
13	84-612	Screw	2	34	63-351	Feed rocker link	1
** 14	84-366	Screw	1	35	63-353	Feed rocker link PMD Type	1
15	71-642	Feed rocker arm shaft	1	36			
** 16	75-371	Washer	2	37			
** 17	75-132	Collar	2	38			
** 18	84-761	Screw	2	39	84-366	Screw	1
** 19	84-574	Screw	1	40	75-112	Crank shaft collar	1
** 20	84-576	Screw	1	41	84-563	Screw	2
21	55-041	Feed rocker arm	1				
718-A	60-711	Feed rocker arm ass'y					
718-B	50-571	Feed rocker ass'y					
718-C	60-790	Looper avoid, eccentric link ass'y					
718-D	60-090	Feed eccentric link ass'y					
718-E	70-183	Main shaft 8C ass'y					
718-F	60-712	Feed rocker arm MD type ass'y					

NOTE: Parts marked with ** are the same as those used in fundamental models (D-type or F-type).

(注) 参照番号に ** 印の付いた部品は基本機種(D-タイプまたはF-タイプ)と共通部品です。

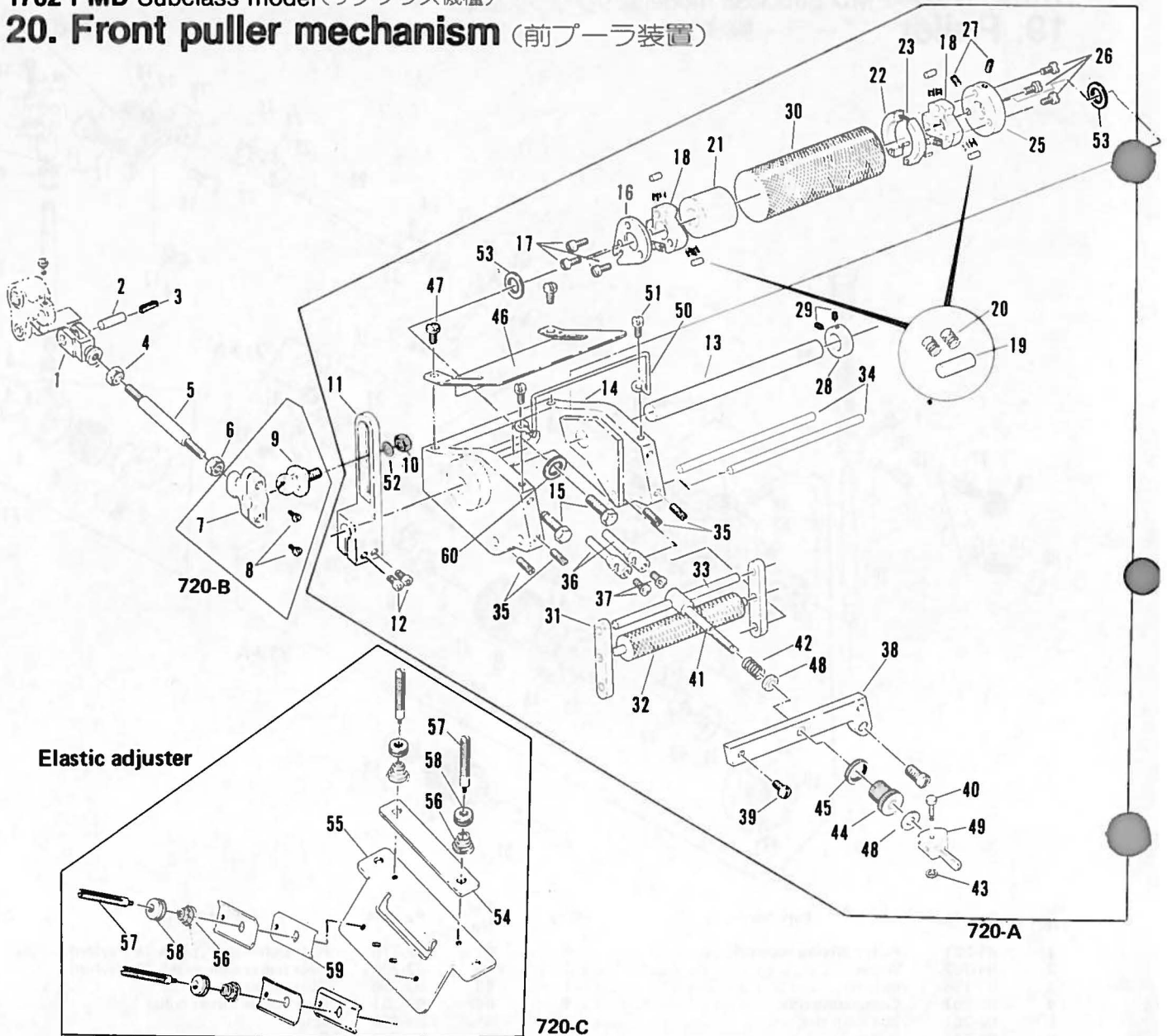
1701P, 1702P•PMD Subclass models (サブクラス機種)

19. Puller (プーラー機構)



Ref. No.	Part No.	Part Name	Q'ty	Ref. No.	Part No.	Part Name	Q'ty
1	81-201	Puller driving eccentric	1	41	02-279	Rear puller gear, pitch 18 (Nylon)	1
2	84-762	Screw	2	42	02-299	Rear puller gear, pitch 15 (Nylon)	1
3	91-156	Bearing	1	43	02-256	Rear puller pipe	1
4	63-201	Connecting link	1	44	02-261	Rear puller thrust collar	1
5	93-251	25φ snap ring	1	45	84-463	Screw	3
6	86-741	Nut	1	46	84-719	Screw	1
7	65-302	Puller driving connection	1	47	84-462	Screw	2
8	86-742	Nut, left	1	48	02-117	Rear puller pipe cover	1
9	63-711	Puller driving connecting rod	1	49	71-466	Check clutch roller	6
10	84-567	Screw	2	50	79-191	Check clutch spring	12
11	61-714	Connecting ball joint	1	51	71-651	Rear puller shaft	1
12	75-491	Washer	1	52	75-372	Washer	1
13	75-452	Washer	1	53	02-116	Spring washer	1
14	86-501	Nut	1	54	86-761	Nut	2
15	67-172	Puller driving lever, rear	1	55	75-451	Washer	1
16	55-061	Screw	1	56	71-472	Rear puller shaft	1
17	75-452	Washer	1	57	81-323	Puller holder shaft bushing S	1
18	86-501	Nut	1	58	81-322	Puller holder shaft bushing M	1
19	23-200	O-ring	1	59	81-321	Puller holder shaft bushing L	1
20	75-332	Washer	2	60	93-221	φ8 snap ring	1
21				61	02-251	Rear puller holder	1
22	71-691	Puller driving shaft A	1	62	71-921	Ruller liner	1
23	75-113	Crank shaft collar	2	63	84-566	Screw	1
24	84-718	Screw	4	64	02-266	Rear puller stopper	1
25	67-171	Puller driving lever, front	1	65	84-563	Screw	2
26	85-191	Screw	1	66	84-562	Screw	1
27	75-381	Washer	1	67	84-566	Screw	1
28	86-541	Nut	1	68	84-814	Screw	1
29	84-584	Screw	1	69	84-512	Screw	1
30	75-246	Connecting link roller	1	70	71-636	Feed roller shaft	1
31	63-810	Puller connecting rod	1	71	02-115	Feed roller shaft holder	1
32	86-312	Nut	1	72	79-126	Puller spring	1
33	84-572	Screw	2	73	87-751	Puller screw	1
34	61-810	Connecting ball joint	1	74	84-611	Screw	1
35	75-381	Washer	1	75	75-211	Lifter lever roller	1
36	86-411	Nut	1	76	84-582	Screw	1
37	79-551	Puller plate spring	1	77	02-111	Lifter lever	1
38	84-162	Screw	6	78	02-114	Lifter lever knob	1
39	02-263	Rear puller connecting plate	1	79	02-112	Lifter spring	1
40	02-101	Clutch A	2	80	85-671	Screw	1
919-A	00-018	Rear puller gear, pitch 18 (Nylon) ass'y		81	75-132	Washer	2
919-B	60-343	Puller connecting rod ass'y					
919-C	60-374	Puller driving ball joint ass'y					
919-D	60-150	Puller connecting rod ass'y					

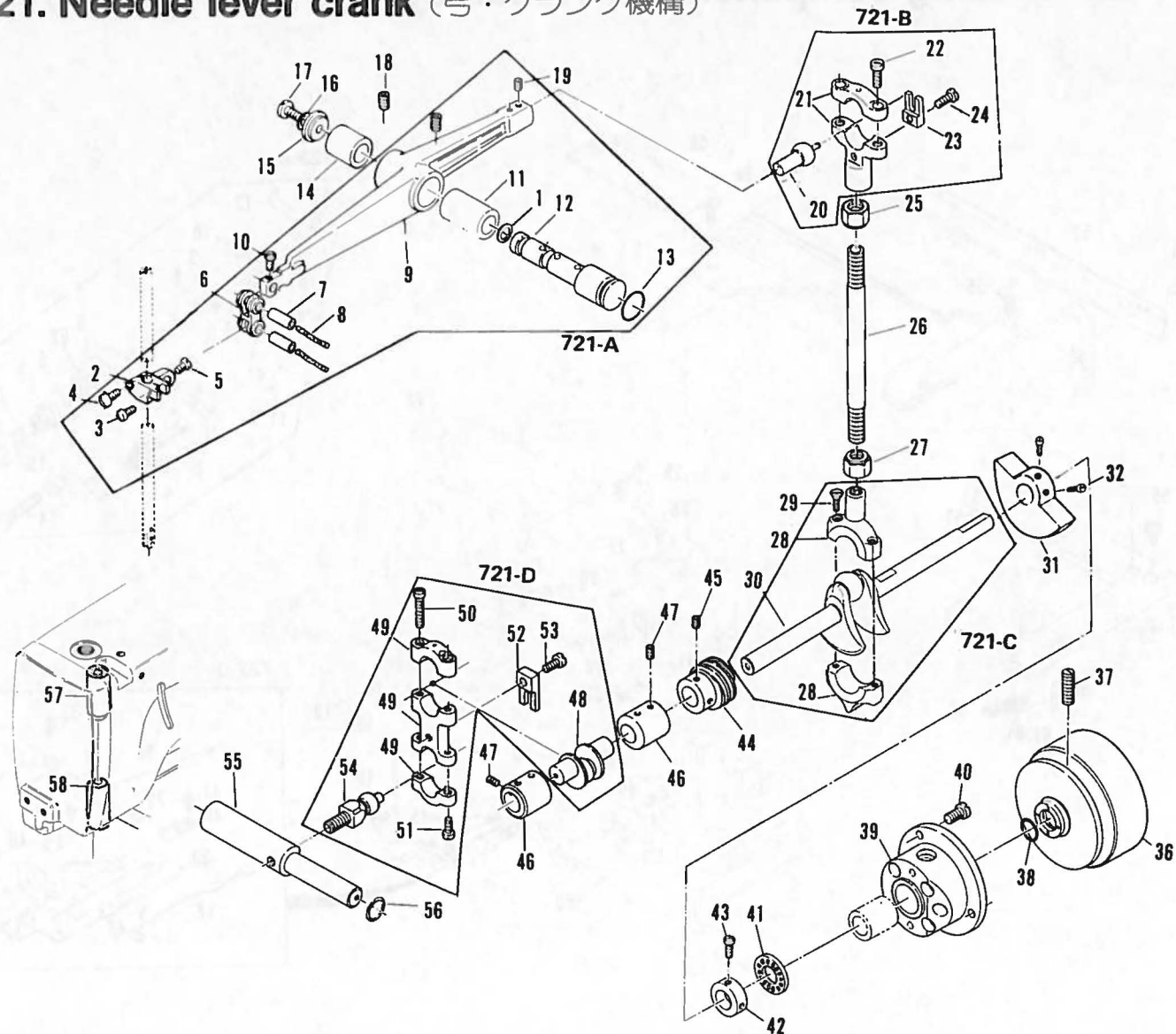
20. Front puller mechanism (前プーラ装置)



Elastic adjuster

Ref. No.	Part No.	Part Name	Q'ty	Ref. No.	Part No.	Part Name	Q'ty
1	66-131	Connecting link	1	31	01-136	Roller holder	2
2	71-432	Pin	1	32	01-134	Roller	1
3	23-341	Felt	1	33	71-362	Pivot shaft	1
4	86-701	Nut	1	34	71-361	Pivot shaft	2
5	65-334	Puller connecting bar	1	35	84-312	Screw	4
6	86-412	Nut	1	36	01-138	Pivot shaft holder	2
7	63-812	Connecting ball joint	1	37	84-162	Screw	2
8	84-572	Screw	2	38	01-141	Rubber tightener	1
9	61-821	Connecting rod	1	39	84-566	Screw	2
10	86-501	Nut	1	40	01-147	Pin	1
11	67-181	Puller connecting lever	1	41	01-143	Roller controller	1
12	85-681	Screw	2	42	79-171	Spring	1
13	71-523	Puller rocker shaft	1	43	93-200	E-ring	1
14	01-111	Puller rocker	1	44	87-456	Screw	1
15	84-813	Screw	2	45	88-456	Nut	1
16	01-116	Puller clutch driving collar	1	46	01-146	Puller cover	1
17	84-162	Screw	3	47	84-361	Screw	2
18	02-101	Puller driving clutch	2	48	75-446	Washer	1
19	71-466	Puller clutch roller	6	49	01-145	Lever	1
20	79-191	Puller driving clutch spring	12	50	01-152	Guide	1
21	01-121	Puller thrust collar	1	51	84-571	Screw	2
22	01-124	Braker	2	52	75-381	Washer	1
23	79-194	Braker spring	1	53	75-367	Washer	2
24				54	26-401	Strip tension base	1
25	01-118	Clutch driving collar	1	55	26-402	Strip tension plate	1
26	84-162	Screw	3	56	26-407	Spring	4
27	84-712	Screw	2	57	26-406	Tension post	4
28	75-152	Shaft collar	1	58	26-408	Nut	2
29	84-511	Screw	2	59	26-403	Strip tension plate (small)	2
30	01-131	Puller pipe	1	60	75-452	Washer	2
720-A	00-140	Metering device ass'y					
720-B	60-386	Connecting ball joint ass'y					
720-C	20-641	Elastic adjuster ass'y					

21. Needle lever crank (弓・クランク機構)

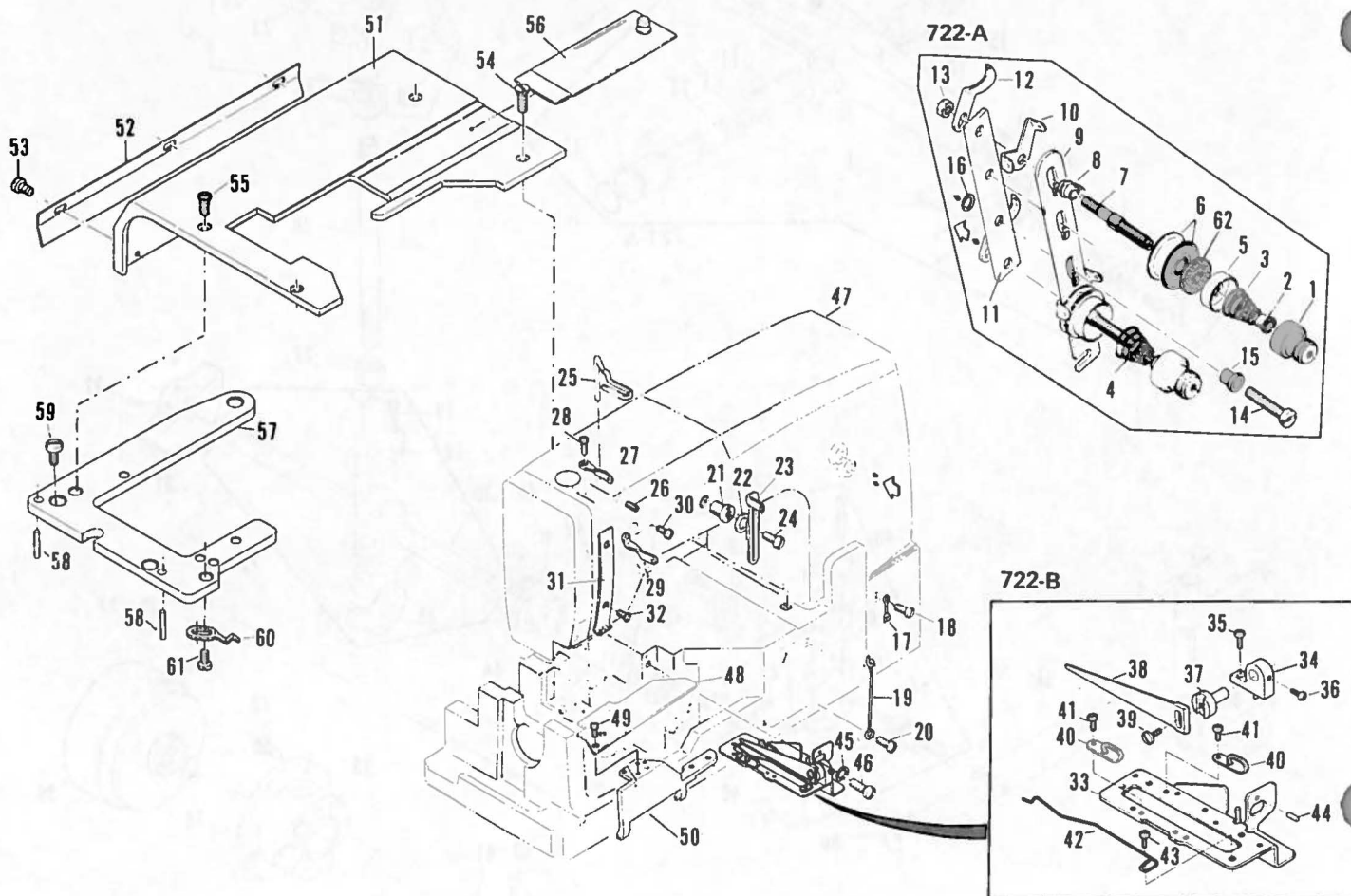


Ref. No.	Part No.	Part Name	Q'ty	Ref. No.	Part No.	Part Name	Q'ty
1	75-332	Washer	1	**31	69-141	Balance wheel	1
2	73-121	Needle bar connection	1	**32	84-761	Screw	2
3	84-363	Screw	1	33			
4	84-572	Screw	1	34			
5	84-365	Screw	1	35			
**6	66-111	Needle bar connecting link	1	**36	69-208	Pulley	1
**7	71-432	Needle bar connecting link pin	2	**37	85-114	Screw	2
**8	23-341	Felt	2	**38	23-197	O-ring	1
**9	69-105	Needle lever	1	**39	69-305	Flange E	1
**10	84-366	Screw	1	**40	84-566	Screw	3
**11	81-113	Needle lever bushing	1	**41	92-231	Bearing	1
**12	71-933	Needle lever stud	1	**42	75-113	Crank shaft collar	1
**13	23-197	O-ring	2	**43	84-761	Screw	2
**14	81-412	Needle lever stud bushing	1	**44	31-410	Worm wheel	1
**15	39-107	Oil seal plate	1	**45	84-718	Screw	2
**16	23-260	Gasket	1	**46	75-101	Joint collar	2
**17	85-182	Screw	1	**47	85-113	Screw	12
**18	85-114	Screw	2	**48	71-870	Crank shaft C small	1
**19	85-212	Screw	2	**49	63-512	Looper driving lever ball joint B	1
20	61-711	Needle lever connecting rod	1	**50	84-568	Screw	2
21	63-711	Ball joint for connecting rod	1	**51	84-567	Screw	2
22	84-567	Screw	2	**52	69-121	Eccentric guide fork	1
23	69-121	Eccentric guide fork	1	**53	84-591	Screw	1
24	84-591	Screw	1	**54	61-713	Looper driving lever connecting rod	1
25	86-742	Nut	1	**55	71-612	Looper driving shaft	1
26	65-301	Connecting bar	1	**56	75-332	Washer	1
27	86-741	Nut	1	57	81-182	Needle bar bushing (upper)	1
28	63-621	Ball joint for crank shaft	1	58	81-189	Needle bar bushing (lower)	1
29	84-568	Screw	2	59			
30	71-880	Crank shaft 7EH	1	60			
721-A	60-941	Needle lever ass'y					
721-B	60-370	Needle bar connection ass'y					
721-C	70-017	Crank shaft 7EH ass'y					
**721-D	60-375	Looper driving joint ass'y					

Note: Parts marked with ** are the same as those used in fundamental models (D-type and F-type).

(注) 参照番号に ** 印の付いた部品は基本機種(D-タイプまたはF-タイプ)と共通部品です。

22. Housing components & Thread eyelets (カバー・糸道関係)

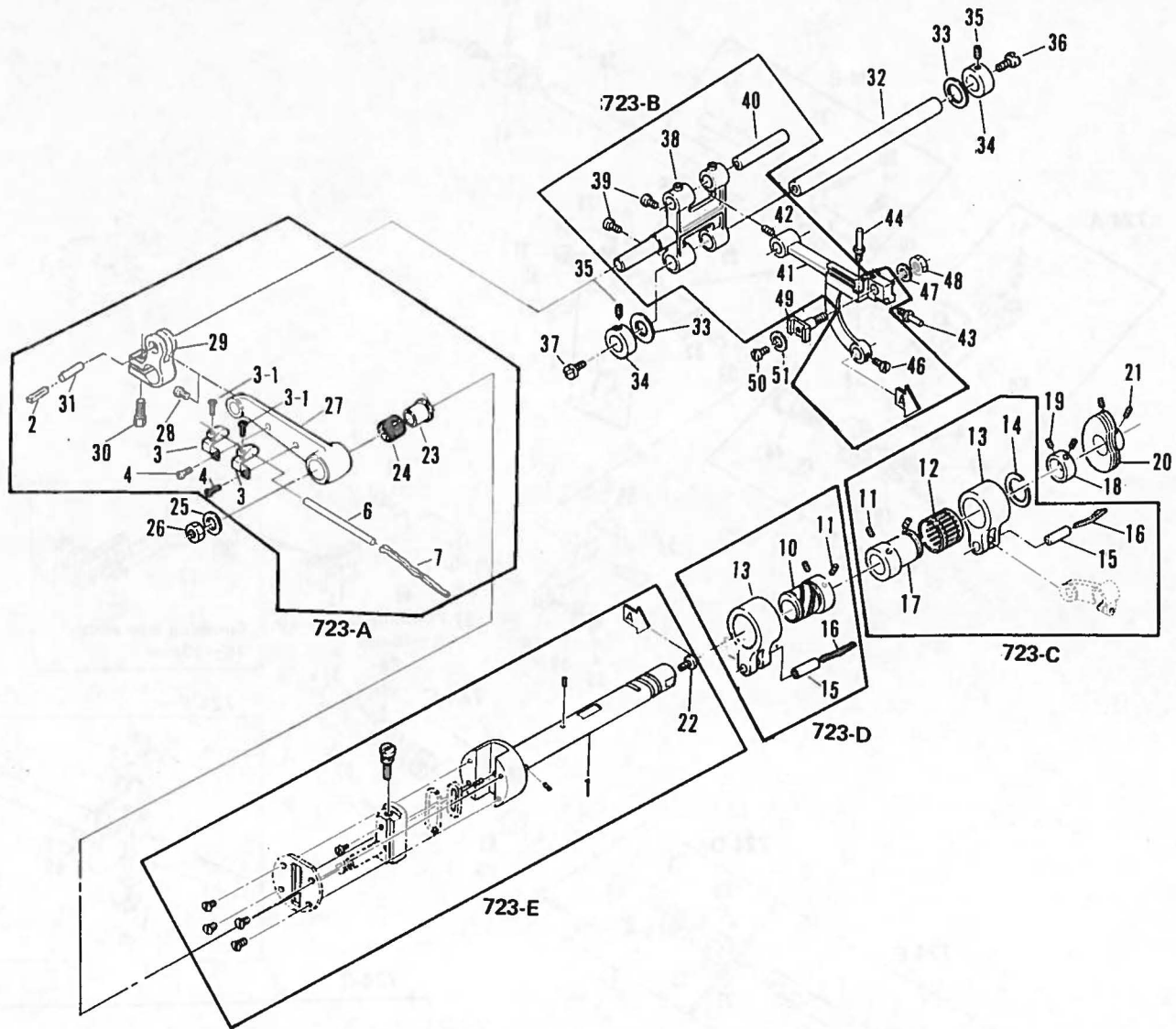


Ref. No.	Part No.	Part Name	Q'ty	Ref. No.	Part No.	Part Name	Q'ty
** 1	41-101	Tension regulating nut	2	**32	84-464	Screw	1
** 2	41-105	Tension disc ratchet	2	33	43-341	Cast-off support bracket	1
** 3	41-701	Needle thread tension spring	1	**34	43-339	Retainer support bracket	1
** 4	41-702	Looper thread tension spring	1	**35	84-162	Screw	1
** 5	41-107	Tension disc cover	2	**36	84-161	Screw	1
** 6	41-111	Tension disc	4	**37	43-112	Pin for looper thread retainer	1
** 7	41-172	Tension post	2	**38	43-333	Looper thread retainer	1
** 8	41-131	Tension post collar A	2	**39	84-374	Screw	1
** 9	41-113	Tension post support	1	40	43-437	Looper thread guide eyelet	2
10	41-115	Tension post thread eyelet	2	**41	85-621	Screw	2
**11	41-121	Tension post holder	1	**42	43-335	Looper thread cast-off pin	1
12	41-117	Lead in thread eyelet	2	**43	84-163	Screw	1
**13	86-411	Nut	1	**44	71-191	Pin	2
14	84-764	Screw	1	**45	75-456	Washer	1
15	41-132	Tension post collar B	1	**46	84-571	Screw	1
**16	75-381	Washer	1	47	22-756	Arm bed (EHD)	1
17	47-201	Looper thread guide eyelet	1	48	21-114	Upper cloth plate	1
18	84-374	Screw	1	**49	84-572	Screw	2
19	47-204	Looper thread guide eyelet	1	**50	21-101	Ruler holder	1
20	84-361	Screw	1	51	21-573	Upper cloth plate	1
**21	85-531	Screw	1	**52	21-441	Supporting cover	1
**22	75-456	Washer	1	**53	84-574	Screw	3
23	45-109	Needle thread eyelet	1	**54	84-861	Screw	2
**24	84-571	Screw	1	**55	84-862	Screw	2
**25	45-225	Needle thread take-up wire E	1	**56	21-521	Slide plate	1
**26	84-521	Screw	1	57	14-072	Needle plate support	1
27	45-139	Needle bar thread eyelet	1	**58	71-251	Knock pin	2
28	84-374	Screw	1	59	84-761	Screw	3
29	45-129	Needle lever thread eyelet	1	60	79-505	Ruler holder spring	1
**30	84-361	Screw	1	**61	84-361	Screw	2
**31	45-151	Needle thread guide	1	62	23-324	Felt	2
722-A	40-011	Thread tension ass'y					
722-B	40-370	Cast-off support plate ass'y					

NOTE: Parts marked with ** are the same as those used in fundamental models (D-type or F-type).

(注) 参照番号に ** 印の付いた部品は基本機種(D-タイプまたはF-タイプ)と共通部品です。

23. Feed rocker (送り機構)

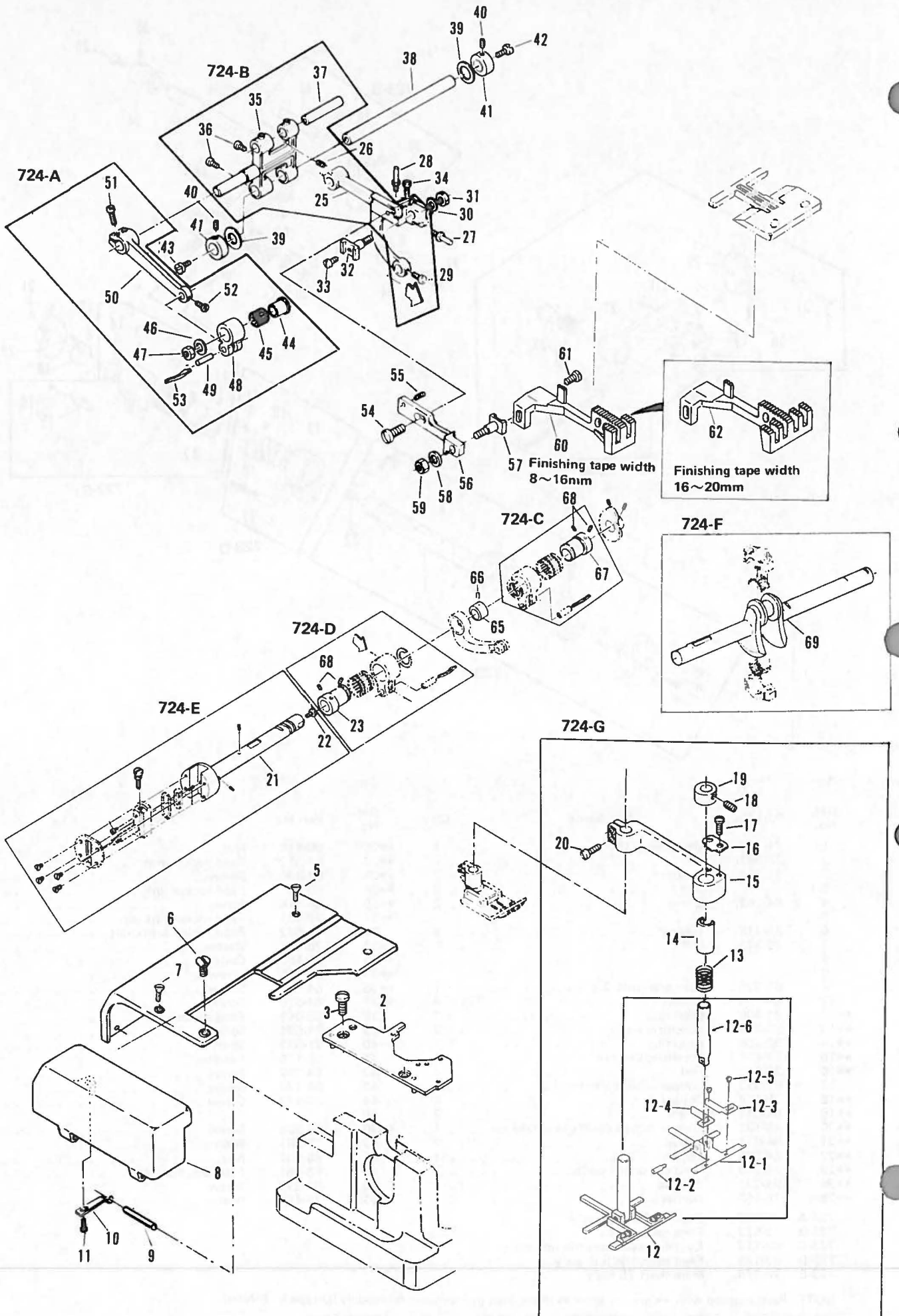


Ref. No.	Part No.	Part Name	Q'ty	Ref. No.	Part No.	Part Name	Q'ty
1	71-775	Main shape 7E.	1	**26	86-412	Nut.	1
2	23-341	Felt.	1	**27	67-312	Feed rocker arm	1
3	31-346	Support	2	**28	84-366	Screw	1
3-1		Screw.	2	**29	63-352	Feed rocker link	1
4	84-162	Screw.	2	**30	84-814	Screw	1
5				**31	71-431	Feed rocker link pin	1
6	35-276	Tubing	1	32	71-642	Feed rocker arm shaft	1
7	23-341	Felt.	1	**33	75-371	Washer	2
8				**34	75-132	Collar	2
9				**35	84-761	Screw	2
10	61-325	Feed eccentric 2.3	1	**36	84-574	Screw	1
11	84-715	Screw.	4	**37	84-576	Screw	1
**12	91-406	Bearing.	1	38	85-041	Feed rocker arm	1
**13	63-232	Eccentric link	2	39	84-571	Screw	2
**14	93-406	Snap ring.	1	**40	71-531	Shaft	1
**15	71-431	Eccentric link pin	2	41	55-175	Feed bar.	1
**16	23-341	Felt.	2	42	84-712	Screw	1
17	61-313	Looper avoid eccentric 1.2	1	43	84-176	Screw	1
**18	75-114	Collar.	1	44	84-177	Screw	1
**19	84-511	Screw.	2	45			
**20	49-133	Looper thread double disc take up	1	**46	84-366	Screw	1
**21	84-711	Screw.	2	47	75-381	Washer.	1
**22	84-576	Screw.	1	48	86-501	Nut.	1
**23	75-243	Feed crank link collar.	1	49	55-051	Feed dog holder	1
**24	91-271	Bearing.	1	50	84-590	Screw	1
**25	75-453	Washer	1	51	75-458	Washer.	1
723-A	60-727	Feed rocker arm ass'y					
723-B	50-573	Feed rocker ass'y					
723-C	60-112	Looper avoid eccentric link ass'y					
723-D	60-123	Feed eccentric link ass'y					
723-E	70-175	Main shaft 7E ass'y					

NOTE: Parts marked with ** are the same as those used in fundamental models (D-type or F-type).

(注) 参照番号に ** 印の付いた部品は基本機種(D-タイプまたはF-タイプ)と共通部品です。

24. 1702BK

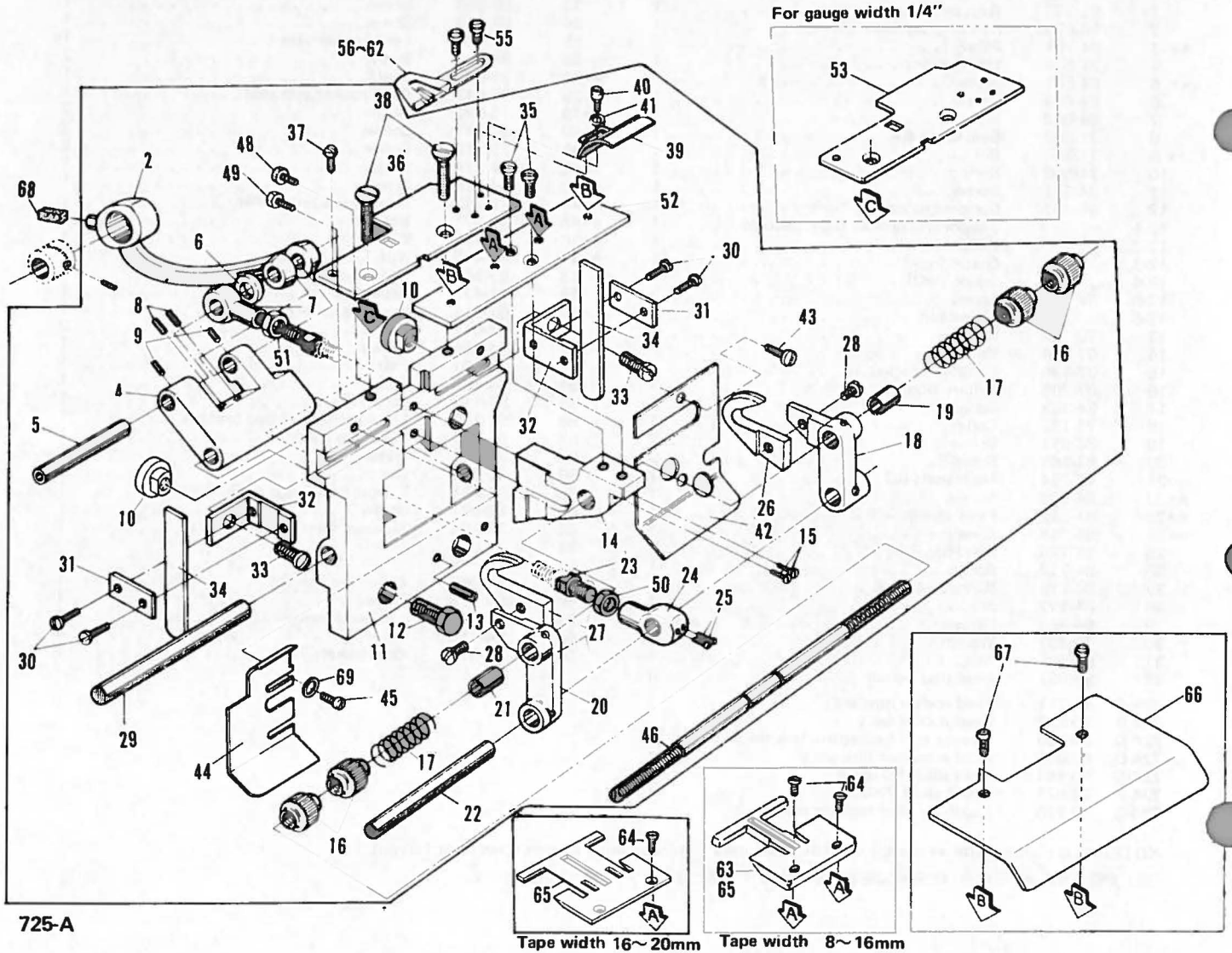


Ref. No.	Part No.	Part Name	Q'ty	Ref. No.	Part No.	Part Name	Q'ty
1	22-753	Arm bad	1	33	84-588	Screw	1
2	14-074	Needle plate base BK	1	34	84-463	Screw	1
** 3	84-761	Screw	2	35	55-041	Feed rocker arm	1
4	21-574	Upper cover	1	36	84-571	Screw	2
** 5	84-861	Screw	2	**37	71-531	Shaft	1
6	84-464	Screw	1	38	71-642	Feed rocker arm shaft	1
7	84-862	Screw	1	**39	75-371	Washer	2
8	21-302	Side cover BK	1	**40	84-761	Screw	2
** 9	71-301	Pin	1	**41	75-132	Collar	2
10	74-502	Spring	1	**42	84-574	Screw	1
11	84-571	Screw	1	**43	84-576	Screw	1
12	07-397	Supporting presser foot	1 set	**44	75-243	Feed crank link collar	1
12-1		Supporting presser foot, bottom	1	**45	91-271	Bearing	1
12-2		Hinge screw	1	**46	75-453	Washer	1
12-3		Guide (right)	1	**47	86-412	Nut	1
12-4		Guide (left)	1	48	63-351	Feed rocker link	1
12-5	84-162	Screw	2	49	71-432	Eccentric link pin	1
12-6		Shank pin	1	50	67-311	Feed rocker arm	1
13	79-142	Spring	1	51	84-612	Screw	2
14	07-294	Bushing	1	52	84-366	Screw	1
15	07-396	Support bracket	1	53	23-341	Felt	1
16	07-295	Rotary dog	1	54	84-566	Screw	1
17	84-363	Screw	2	55	84-113	Screw pin	1
18	75-152	Collar	1	56	07-386	Supporting feed dog bracket	1
19	84-511	Screw	2	57	55-053	Feed dog holder	1
20	84-363	Screw	2	58	75-381	Washer	1
21	71-784	Main shaft 8D	1	59	86-501	Nut	1
**22	84-576	Screw	1	60	07-391	Support feed dog A (8-16)	1
**23	61-322	Feed eccentric 0.9	1	61	84-571	Screw	1
**24	84-715	Screw	2	62	07-392	Support feed dog B (16-20)	1
25	55-176	Feed bar BK	1	63			
26	84-712	Screw	1	64			
27	84-176	Screw	1	65	61-252	Eccentric ball BK	1
28	84-177	Screw	1	66	84-715	Screw	1
29	84-366	Screw	1	67	61-322	Looper eccentric 0.9	1
30	75-381	Washer	1	68	84-715	Screw	4
31	86-501	Nut	1	69	71-871	Crank shaft 7H	1
32	55-051	Feed dog holder	1				
724-A	60-711	Feed rocker arm ass'y					
724-B	50-572	Feed rocker ass'y					
724-C	60-790	Looper avoid eccentric link ass'y					
724-D	60-090	Feed eccentric link ass'y					
724-E	70-184	Main shaft 8D ass'y					
724-F	70-027	Crank shaft 7H ass'y					
724-G	00-775	Auxiliary foot bracket ass'y					

NOTE: Parts marked with ** are the same as those used in fundamental models (D-type or F-type).

(注) 参照番号に ** 印の付いた部品は基本機種(D-タイプまたはF-タイプ)と共通部品です。

25. Front trimmer mechanism (前メス機構)



725-A

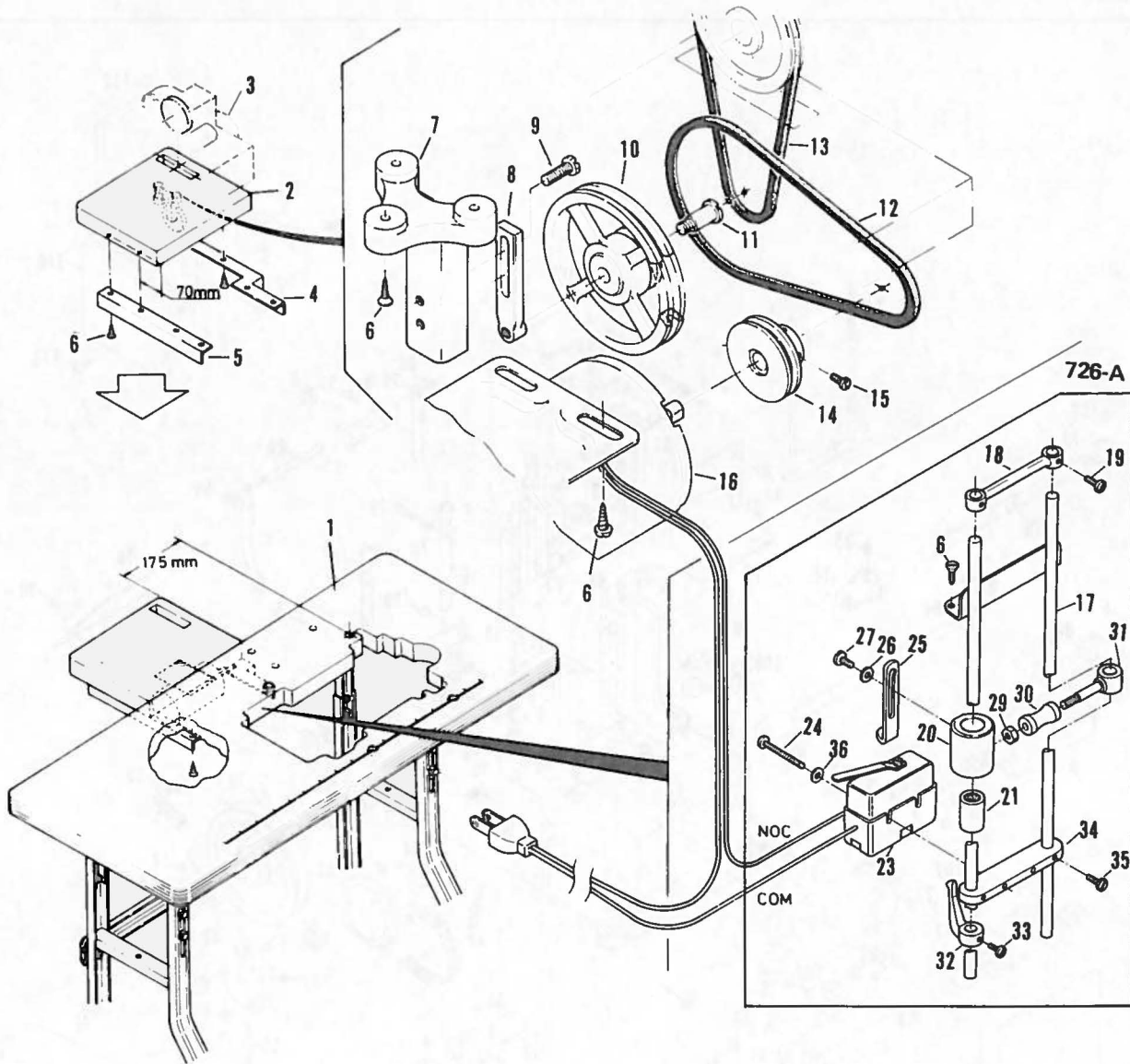
Tape width 16~20mm

Tape width 8~16mm

Ref. No.	Part No.	Part Name	Q'ty	Ref. No.	Part No.	Part Name	Q'ty
1				36	07-383	Installation auxiliary plate, rear, B 1/8", 3/16", 7/32"	1
2	63-213	Connecting link	1	37	84-464	Set screw	1
3				38	84-862	Set screw	2
4	07-409	Upper knife interlock lever	1	39	07-398	Chip guide plate, right, upper	1
5	71-435	Shaft	1	40	84-602	Set screw	1
6	75-155	Space collar	1	41	75-455	Washer	1
7	63-406	Connecting link A	1	42	07-399	Chip guide plate, right, lower	1
8	84-512	Set screw	3	43	84-571	Screw	2
9	84-161	Set screw	1	44	07-400	Chip guide plate, left	1
10	86-481	Nut	2	45	84-571	Set screw	2
11	07-380	Base bracket	1	46	07-408	Shaft, upper knife	1
12	84-812	Set screw	2	47			
13	71-241	Knock pin	2	48	87-136	Set screw	1
14	07-381	Upper knife stand	1	49	84-613	Set screw	1
15	84-521	Set screw	2	50	86-411	Nut, left	1
16	86-504	Nut	4	51	86-412	Nut, right	1
17	79-143	Spring	2	52	07-382	Supporting plate back B	1
18	07-404	Upper knife bracket, right	1	53	07-393	Installation auxiliary plate C 1/4"	1
19	81-337	Bush	1	54			
20	07-405	Upper knife bracket, left	1	55	84-368	Screw	2
21	81-337	Bush	1	56	97-729	Binder * 8mm	1
22	71-519	Shaft	1	57	97-739	Binder * 10mm	1
23	65-402	Connecting rod	1	58	97-749	Binder * 12mm	1
24	63-407	Connecting link B	1	59	97-759	Binder * 14mm	1
25	84-361	Set screw	2	60	97-769	Binder * 16mm	1
26	07-124	Upper knife, right	1	61	97-779	Binder * 18mm	1
27	07-406	Upper knife, left	1	62	97-789	Binder * 20mm	1
28	84-374	Set screw	2	63	07-384	Auxiliary plate * 8~16mm	1
29	71-533	Shaft	1	64	84-464	Screw	2
30	84-374	Set screw	4	65	07-385	Auxiliary plate * 16~20mm	1
31	07-407	Presser foot; lower knife	2	66	07-298	Guide cover	1
32	07-402	Lower knife holder	2	67	84-364	Screw	2
33	84-763	Set screw	2	68	23-383	Felt	1
34	07-206	Lower knife	2	69	75-453	Washer	2
35	84-862	Set screw	2				
725-A 00-771 BK front trimmer mechanism ass'y							

*: Finishing tape width *印はテープ仕上り巾を示す。

26. Rear cutter tensioner (後カッターテンション装置)



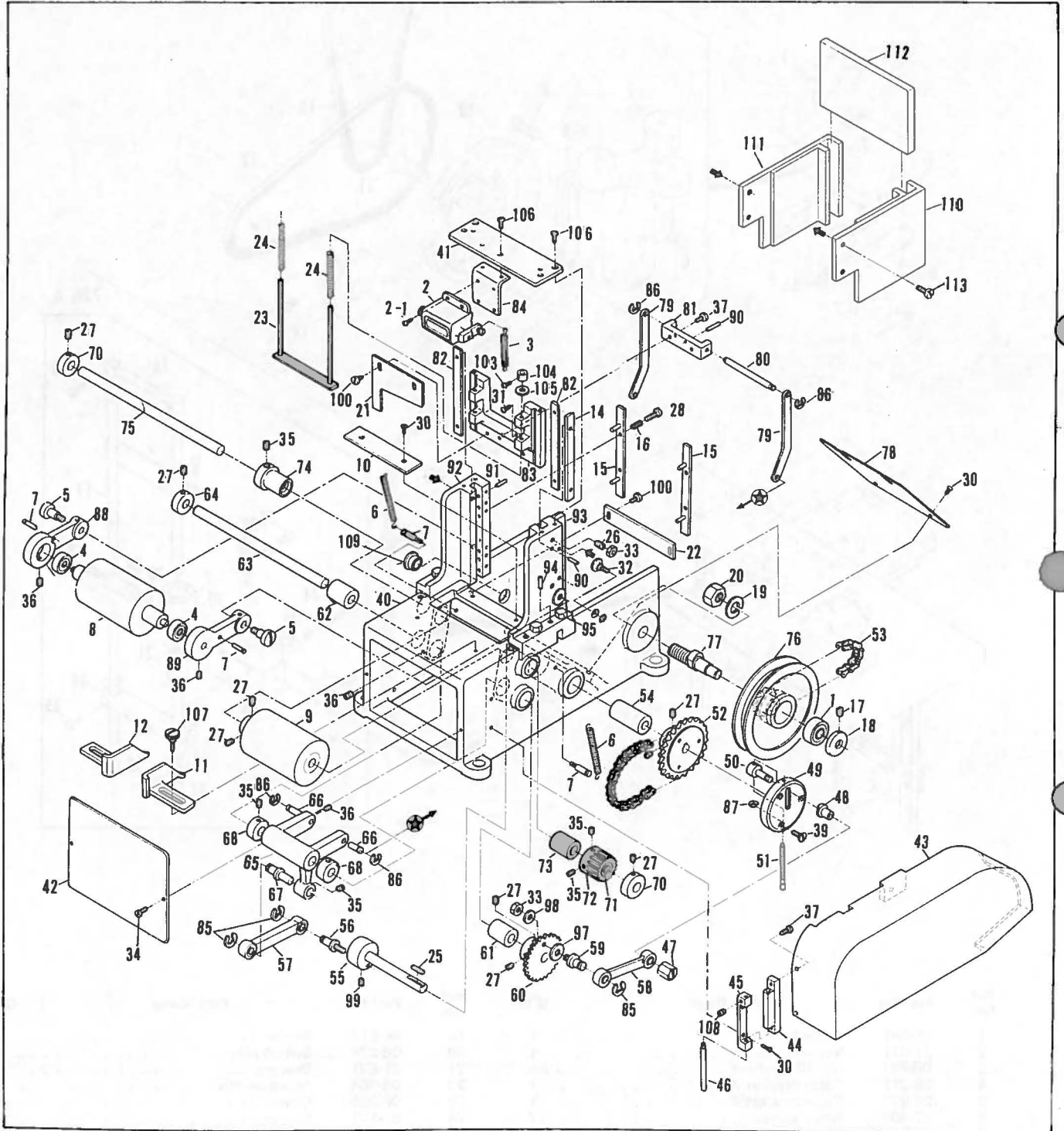
Ref. No.	Part No.	Part Name	Q'ty
1	21-041	Table for BWK	1
2	21-071	Support table	1
3	08-251	BK-10 machine	.1 set
4	08-271	Table bracket A	1
5	08-272	Table bracket B	1
6	87-901	Wood screw	17
7	08-279	Idler base	1
8	08-278	Idler bracket	1
9	84-812	Screw	2
10	08-277	Idler	1
11	85-671	Fixing screw	1
12	59-124	Belt, large (M24)	1
13	59-126	Belt, small (M28)	1
14	08-276	Motor pulley	1
15	84-763	Screw	2
16	69-011	Motor, single phase (0.25kW 4P)	1
17	08-261	Tension base	1
18	08-266	End	1
726-A	00-870	Belt loop tension	

Ref. No.	Part No.	Part Name	Q'ty
19	84-611	Screw	2
20	08-274	Switch base	1
21	91-521	Bearing	1
22	08-264	Micro-switch	1
23	08-265	Cover	1
24	87-141	Screw	2
25	08-273	Switch slide plate	1
26	75-452	Washer	1
27	84-563	Screw	1
28			
29	86-411	Nut	1
30	08-269	Roller	1
31	08-268	Roller base	1
32	08-267	Stopper	1
33	84-611	Screw	1
34	08-275	Slide	1
35	84-611	Screw	2
36		Washer	1

1702 BWK Subclass model (サブクラス機種)

27. Rear trimmer (BK-10) (後メスカッター装置)

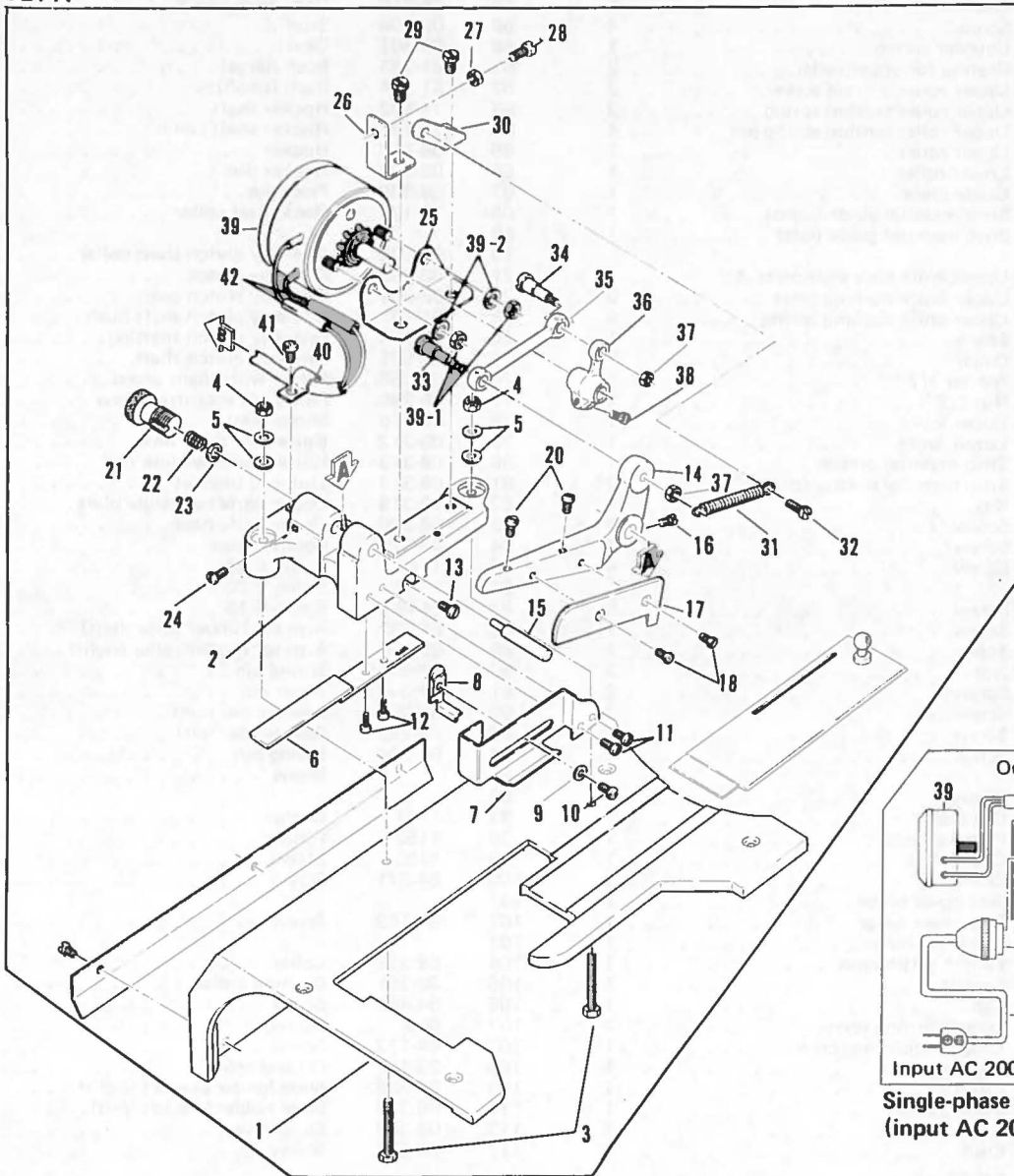
727-A



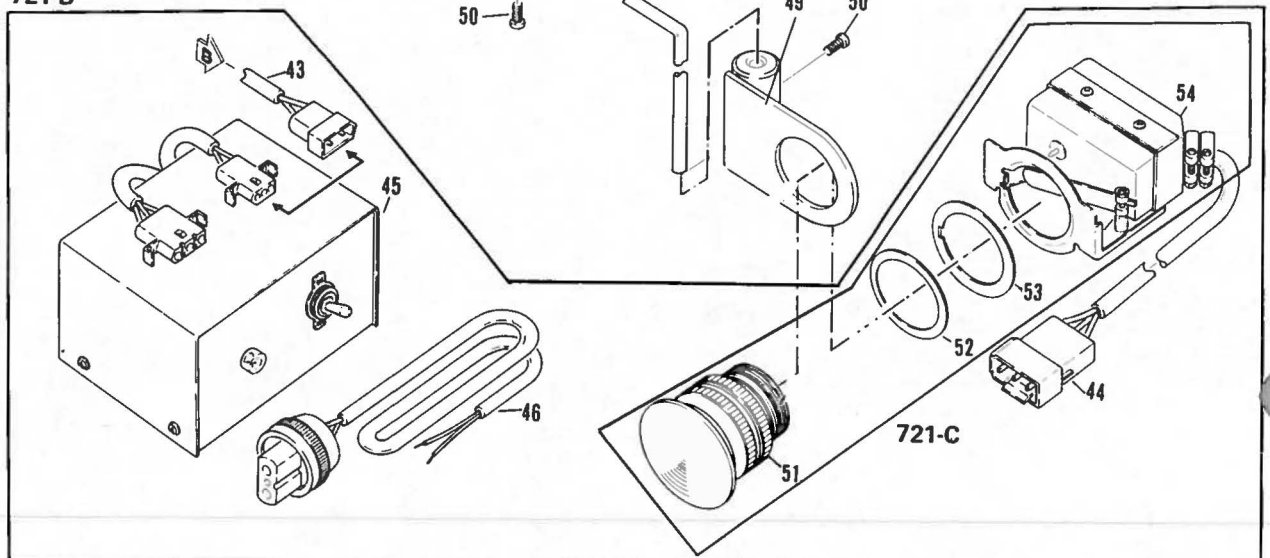
Ref. No.	Part No.	Part Name	Q'ty	Ref. No.	Part No.	Part Name	Q'ty
1	08-287	Bearing	1	57	66-509	Rocker drive link A	1
2	08-323	Counter	1	58	66-510	Gear drive link B	1
2-1		Screw	4	59	08-306	Stud	1
3	08-322	Counter spring	1	60	08-301	Gear	1
4	08-331	Bearing for upper roller	2	61	81-283	Bush (large)	1
5	85-195	Upper roller arm set screw	2	62	81-284	Bush (small)	1
6	08-328	Upper roller tension spring	2	63	71-582	Rocker shaft	1
7	08-329	Upper roller tension spring pin	4	64	75-133	Rocker shaft collar	1
8	08-333	Upper roller	1	65	08-310	Rocker	1
9	08-311	Lower roller	1	66	08-309	Rocker pin	2
10	08-315	Guide plate	1	67	08-308	Pivot pin	1
11	08-336	Strip material guide (right)	1	68	75-132	Rocker set collar	2
12	08-337	Strip material guide (left)	1	69			
13				70	08-302	One-way clutch shaft collar	2
14	08-317	Upper knife base slide plate A	1	71	08-303	One-way clutch	1
15	08-319	Upper knife pushing plate	2	72	08-300	One-way clutch gear	1
16	464	Upper knife pushing spring	4	73	81-282	One-way clutch shaft bush	1
17	465	Screw	1	74	81-304	One-way clutch shafting	1
18	08-286	Collar	1	75	71-581	One-way clutch shaft	1
19	08-290	Washer 1/2"	1	76	08-288	Pulley with chain wheel	1
20	08-291	Nut 1/2"	1	77	08-289	Pulley set eccentric screw	1
21	08-281	Upper knife	1	78	08-316	Shoot plate	1
22	08-282	Lower knife	1	79	08-312	Knife base drive link	2
23	08-326	Strip material presser	1	80	08-313	Knife base drive link rod	1
24	08-327	Strip material presser spring	2	81	08-314	Link rod bracket	1
25	09-307	Key	1	82	08-318	Upper knife base slide plate	2
26	84-713	Screw	2	83	08-320	Upper knife base	1
27	84-512	Screw	7	84	08-324	Counter base	1
28	802	Screw	4	85	1146	E ring E 23	2
29				86	1147	E ring E 20	4
30	84-661	Screw	6	87	1148	E ring E 15	3
31	808	Screw	1	88	08-332	Arm for rubber roller (left)	1
32	809	Screw	1	89	08-330	Arm for rubber roller (right)	3
33	86-411	Nut	3	90	TP 3x10	Spring pin	3
34	84-564	Screw	2	91	TP 3x13	Taper pin	4
35	84-761	Screw	7	92	08-292	Base (upper right)	1
36	84-512	Screw	4	93	08-293	Base (upper left)	1
37	84-571	Screw	4	94	08-294	Spring pin	4
38				95		Screw	4
39	829	Screw	3	96			
40	08-285	Call base	1	97	1151	Washer	1
41	08-325	Plate for base	1	98	1152	Washer	1
42	08-334	Cover plate	1	99	1153	Screw	1
43	21-386	Side cover	1	100	84-571	Screw	2
44	21-388	Side cover hinge	1	101			
45	21-387	Side cover hinge	1	102	84-162	Screw	2
46	21-389	Screw for hinge	1	103			
47	1108	Length setting nut	1	104	08-321	Collar	2
48	1109	Ferrule	1	105	23-291	Cushion collar	2
49	08-297	Cap	1	106	84-462	Screw	6
50	08-296	Length setting screw	1	107	809	Screw	2
51	08-299	Length adjusting screw	1	108	84-112	Screw	1
52	08-294	Chain wheel	1	109	23-161	Oil seal cover	1
53	08-295	Chain	1	110	08-338	Slide holder bracket (right)	1
54	81-281	Bush	1	111	08-339	Slide holder bracket (left)	1
55	71-583	Stepped shaft	1	112	08-340	Slide cover	1
56	08-305	Stud	1	113	84-564	Screw	4
727-A	00-820	BK-10 set					

1701F, 1702F, 1703F Subclass models (サブクラス機種)
28. Rear cutter (MC-10) (後カッター装置)

721-A



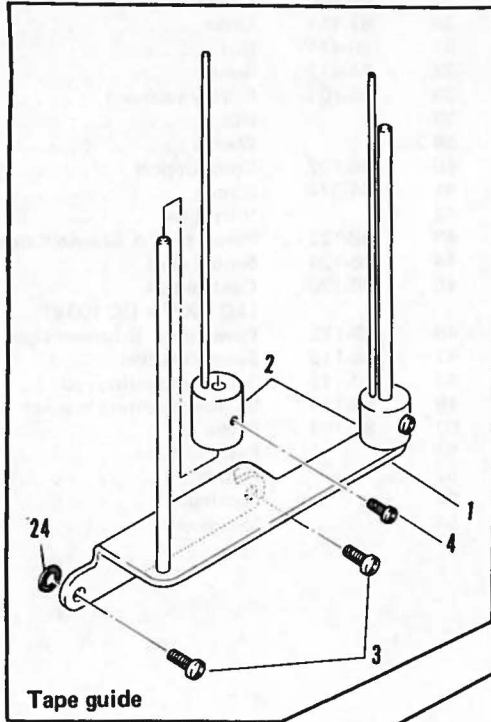
721-B



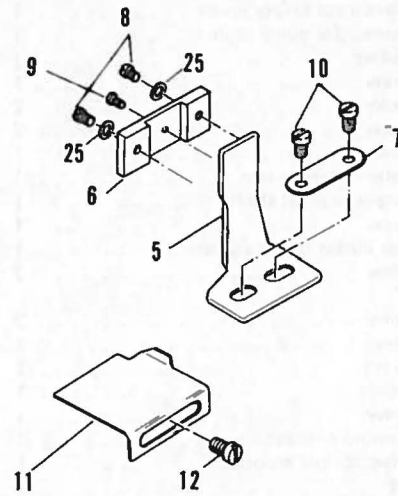
Ref. No.	Part No.	Part Name	Q'ty	Ref. No.	Part No.	Part Name	Q'ty
1	21-508	Upper cloth plate (MC-10)	1	30	08-115	Mounting bracket for spring	1
2	08-102	Rear cutter base	1	31	79-146	Spring	1
3	84-813	Screw	2	32	84-564	Screw	1
4	86-411	Nut	2	33	84-784	Screw B	1
5	75-381	Washer	4	34	84-782	Screw A	1
6	08-105	Rear cutter, lower scalpel	1	35	66-506	Connecting crank	1
7	08-109	Rear cutter safety cover	1	36	67-151	Lever	1
8	08-110	Rear cutter guide plate	1	37	86-411	Nut	2
9	75-455	Washer	1	38	84-612	Screw	1
10	84-374	Screw	1	39	08-101	Rotary solenoid	1
11	84-374	Screw	2	39-1	Nut	2	
12	84-564	Screw	2	39-2	Washer	2	
13	84-564	Screw	1	40	08-107	Cord support	1
14	08-103	Scalpel bracket arm	1	41	84-374	Screw	1
15	71-551	Scalpel bracket shaft	1	42		Vinyl pipe	2
16	84-366	Screw	1	43	08-122	Power cord A (solenoid side)	1 set
17	08-104	Rear cutter upper scalpel	1	44	08-124	Switch cord	1 set
18	84-661	Screw	2	45	08-126	Control box (AC 200V x DC 100V)	1 set
19				46	08-123	Power cord B (power side)	1 set
20	84-374	Screw	2	47	08-112	Switch bracket	1
21	87-521	Screw	1	48	08-113	Switch mounting rod	1
22	79-142	Spring	1	49	08-114	Switch mounting bracket	1
23	75-452	Washer	1	50	84-764	Screw	2
24	84-362	Screw	1	51		Push button	1
25	08-108	Solenoid bracket	1	52		Washer	1
26	08-116	Upper scalpel stopper	1	53		Packing	1
27	86-311	Nut	1	54		Microswitch	1
28	84-591	Screw	1				
29	84-812	Screw	2				
721-A	00-810	Rear cutter base ass'y					
721-B	08-121	Control base ass'y					
721-C	08-125	Microswitch ass'y					

29. Attachments (アタッチメント)

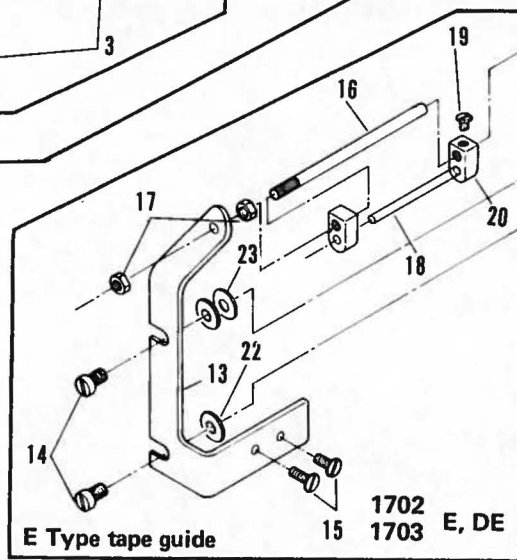
729-A



Tape guide



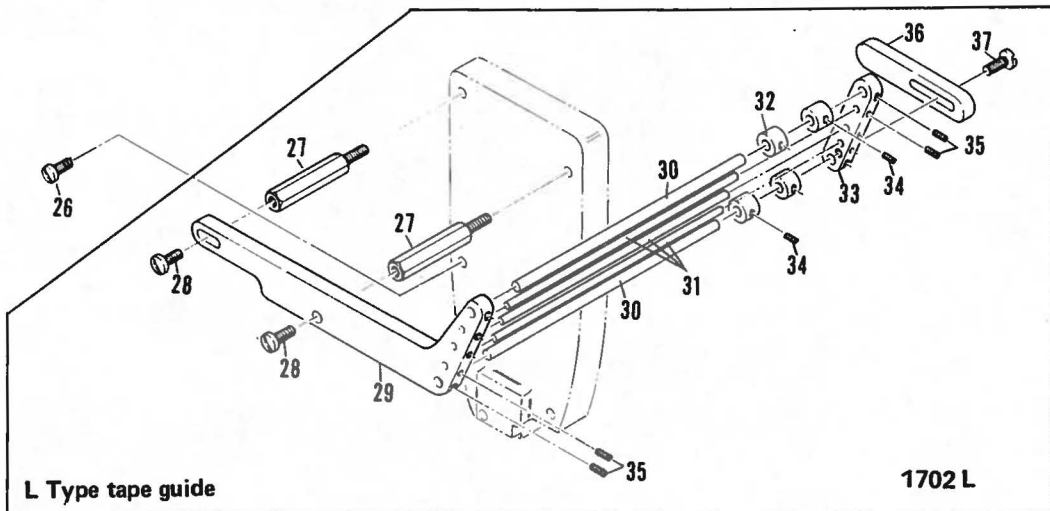
1701
1702 F Type
1703



E Type tape guide

1702 E, DE
1703

729-B



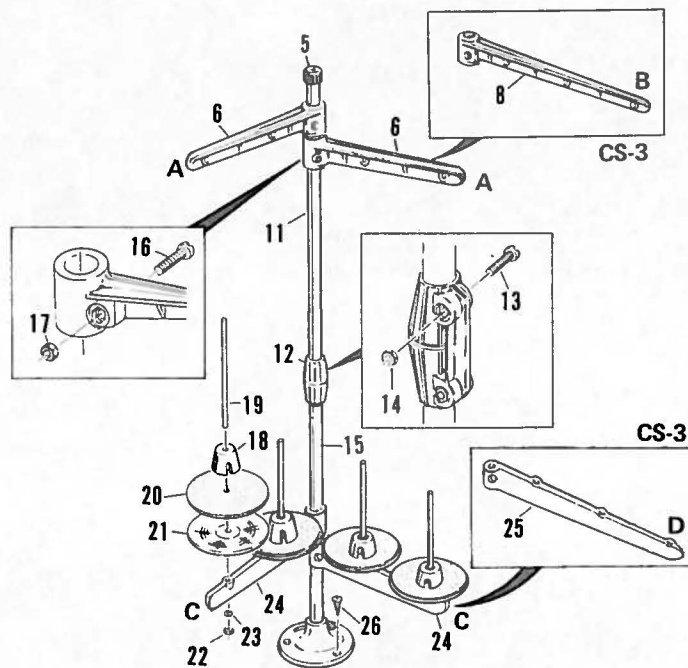
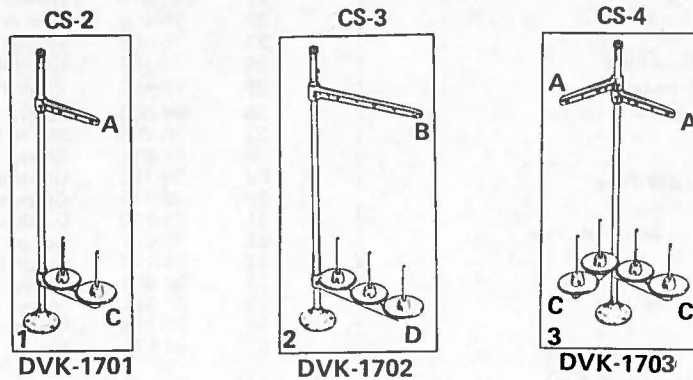
L Type tape guide

1702 L

729-C

Ref. No.	Part No.	Part Name	Q'ty	Ref. No.	Part No.	Part Name	Q'ty
1	26-702	Tape guide bracket	1	19	84-162	Screw	2
2	26-703	Tape guide adjuster	2	20	26-753	Rubber puller fittings	2
3	84-566	Screw	2	21	21-318	Head cover	1
4	84-571	Screw	2	22	75-456	Washer	1
5	26-711	Folder base	1	23	75-456	Washer	2
6	26-713	Folder base for F	1	24	23-187	Cushion rubber	2
7	26-712	Folder base bracket	1	25	75-455	Washer	2
8	84-566	Screw	2	26	84-566	Screw	3
9	84-571	Screw	1	27	26-709	Mount bracket	2
10	85-181	Screw	2	28	84-571	Screw	2
11	21-318	Plate, F. EM Type	1	29	26-716	Guide bracket	1
12	84-361	Screw	1	30	26-719	Guide shaft, large	2
13	26-706	Rubber puller guide plate	1	31	26-720	Guide shaft, small	3
14	84-566	Screw	2	32	75-097	Collar, large	4
15	84-363	Screw	2	33	26-717	Guide fixing bracket	1
16	26-751	Rubber puller bar	1	34	84-361	Screw	4
17	86-411	Nut	2	35	84-521	Screw	10
18	26-752	Rubber puller guide bar	2	36	26-718	Guide clamp	1
				37	84-571	Screw	1
729-A	20-670	Tape guide ass'y F Type					
729-B	20-675	Rubber puller guide plate E Type					
729-C	20-642	Tape guide ass'y, L type					

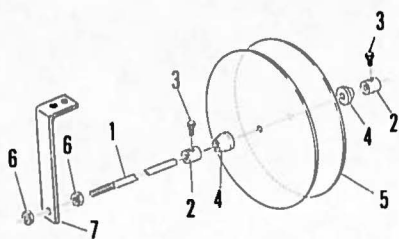
30. Thread stands (糸立て)



Ref. No.	Part No.	Part Name	Q'ty	Ref. No.	Part No.	Part Name	Q'ty
1	42-002	Thread stand (2) CS-2	1 set	15	42-112	Bar (low)	1
2	42-003	Thread stand (3) CS-3	1 set	16		Screw	
3	42-004	Thread stand (4) CS-4	1 set	17		Nut	
4				18		Spool retaining fin	
5	42-120	Cap	1	19		Spool pin	
6		Thread guide bracket (2)		20	42-119	Spool mat	
7				21	42-123	Spool tray	
8		Thread guide bracket (3)		22		Nut	
9				23		Washer	
10				24		Spool pin bracket (2)	
11	42-113	Bar (upper)	1	25	42-115	Spool pin bracket (3)	
12		Joint	1	26	42-122	Screw	3
13		Screw	2	27	42-111	Base	1
14		Nut	2				

31. Tape stands, Accessories (テープ立て・アクセサリー)

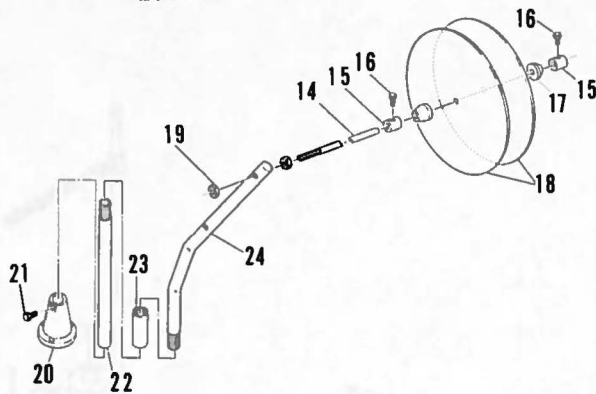
ES-3



1701P, PMD
1702P, PMD

731-A

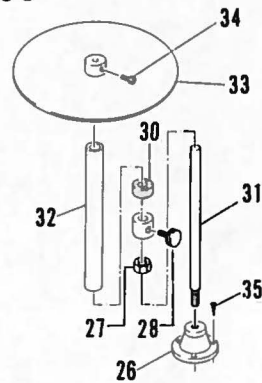
ES-2



1702 E, DE, EMK, L
1703

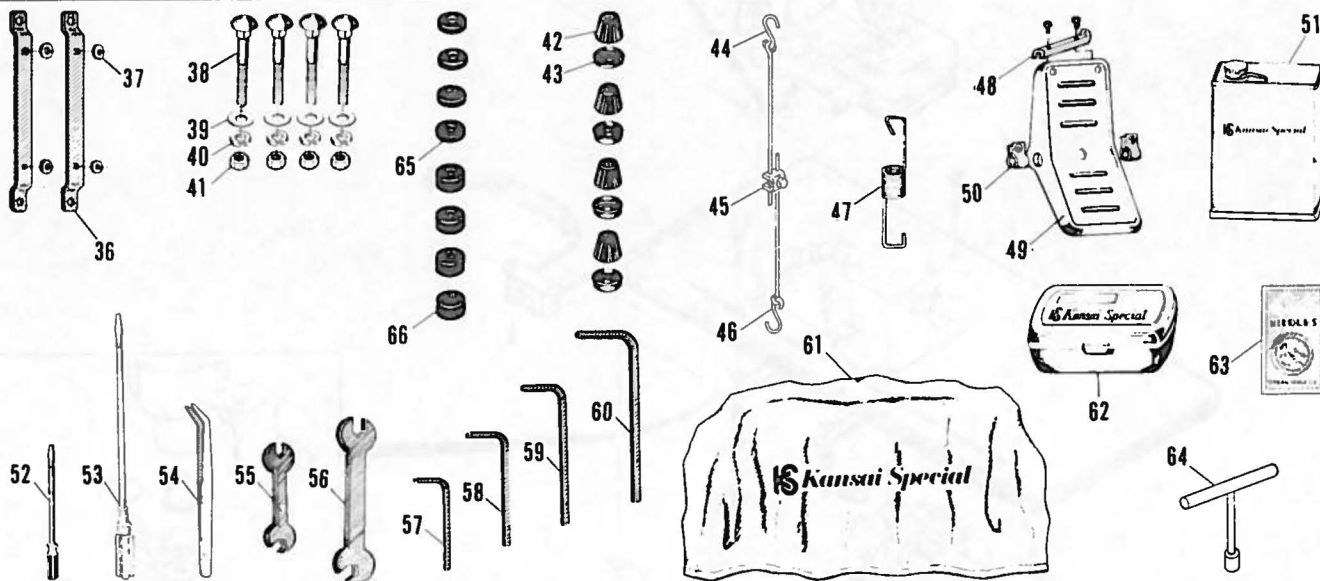
731-B

TS-3



1701F
1702F
1703F

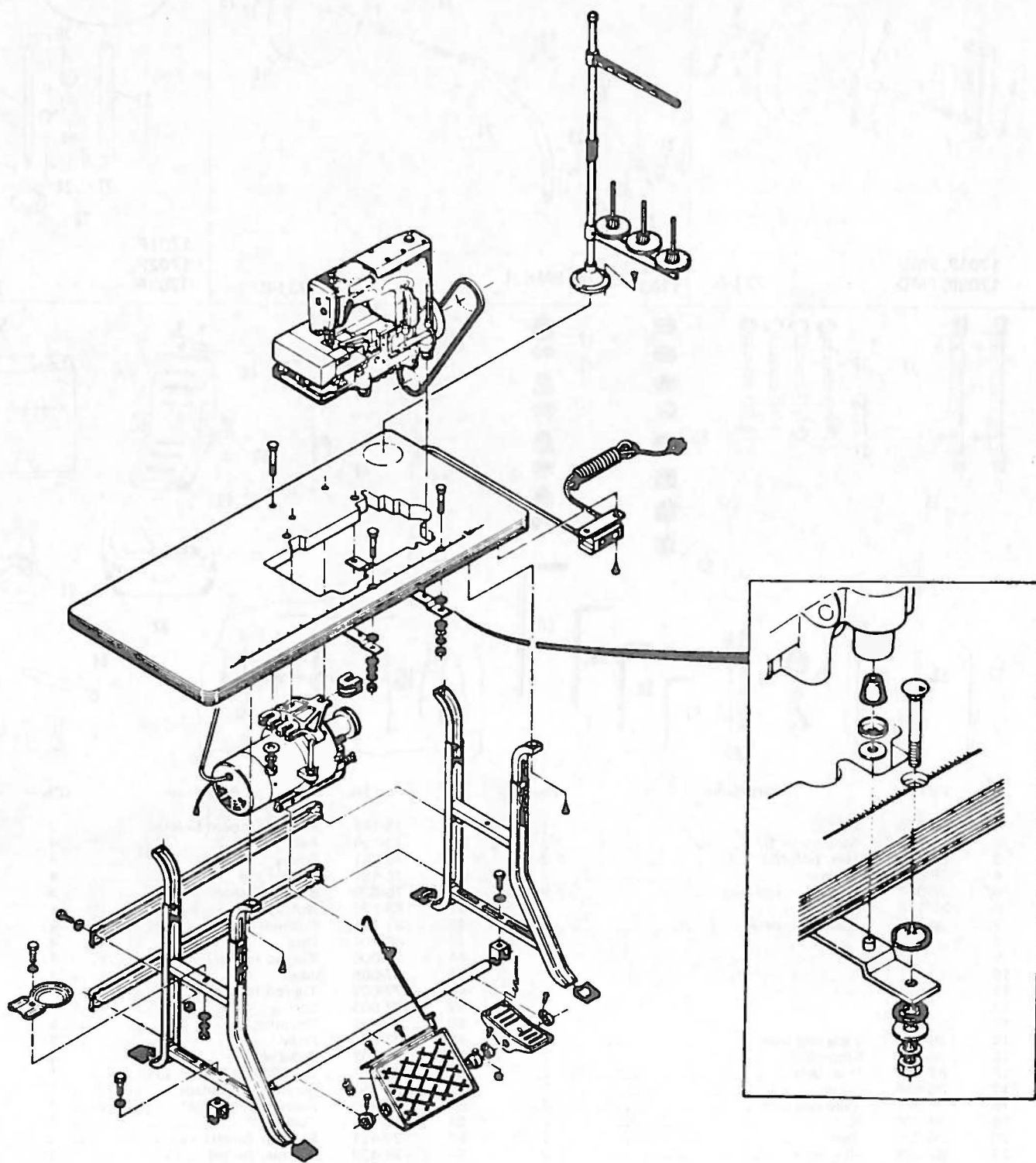
731-C



Ref. No.	Part No.	Part Name	Q'ty
1	26-866	Post C	1
2	26-869	Stop collar B.	2
3	87-156	Hex. bolt M5.	2
4	26-868	Collar	2
5	26-867	φ226 tape reel disc	2
6	88-176	Nut	2
7	26-746	Tape reel plate	1
8			
9			
10			
11			
12			
13			
14	26-866	Tape reel post	1
15	26-869	Stop collar	2
16	87-156	Hex. bolt	2
17	26-868	Collar	2
18	26-867	Tape reel disc	2
19	88-176	Nut	2
20	26-876	Base	1
21	87-161	Hex. bolt	2
22	26-877	Post A	2
23	26-879	Connecting pipe	1
24	26-878	Post B	1
25			
26	26-856	Base	1
27	88-156	Nut	1
28	87-149	Screw	1
29	26-860	Stop collar	1
30	26-861	Cushion	1
31	26-857	Post B	1
32	26-859	Guide pipe	1
33	26-858	φ 200 tape reel disc	1
34	87-150	Screw	1
35		Wood screw	3
731-A	20-603	Tape stand ES-3 ass'y	
731-B	20-602	Tape stand ES-2 ass'y	
731-C	20-613	Tape stand TS-3 ass'y	

Ref. No.	Part No.	Part Name	Q'ty
36	25-141	Machine mount bracket	2
37	23-324	Felt	4
38	80-751	Screw	4
39	75-451	Washer M8	4
40	75-529	Spring Washer	2
41	88-176	Nut	4
42	31-161	Cushion rubber	4
43	39-104	Disc	4
44	77-006	Tie-rod (upper)	1
45	77-005	Joint	1
46	77-007	Tie-rod (lower)	1
47	77-003	Spring	1
48	77-004	Coupling	1
49	77-001	Pedal	1
50	77-002	Pedal stopper	2
51	28-611	Oil TELLESSO 33	1
52	28-451	Screwdriver (small)	1
53	28-452	Screwdriver (large)	1
54	28-011	Tweezers	1
55	28-421	Spanner (small)	1
56	28-422	Spanner (large)	1
57	28-311	Wrench A	1
58	28-312	Wrench B	1
59	28-313	Wrench C	1
60	28-314	Wrench D	1
61	28-021	Machine cover	1
62	28-001	Accessory box	1
63	13	Needle DV x 43, 62 x 43, SY3516. UY3516 DR x 2, (1701EHD)	1
64	28-464	Wrench T	1
65	23-121	Rubber A	4
66	23-122	Rubber B	4

33. Table stand assembly diagram (テーブルスタンド据付図)



33. Index (索引)

Part No.	Q'ty	Page No.	Part No.	Q'ty	Page No.	Part No.	Q'ty	Page No.	Part No.	Q'ty	Page No.
01-111	1	29	07-294	1	34	08-295	1	38	11-736	1	16
-116	1	29	-295	1	34	-296	1	38	12-702	1	12
-118	1	29	-298	1	35	-297	1	38	-702	1	14
-121	1	29	-331	1	22	-299	1	38	-702	1	16
-124	1	29	-333	1	22	-300	1	38	-702	1	18
-131	1	29	-334	1	22	-301	1	38	13-	1	44
-134	1	29	-380	1	35	-302	2	38	14-031	1	2
-136	1	29	-381	1	35	-303	1	38	-071	1	26
-138	2	29	-382	1	35	-305	1	38	-072	1	31
-141	1	29	-383	1	35	-306	1	38	-074	1	34
-143	1	29	-384	1	35	-308	2	38	-082	1	22
-145	1	29	-385	1	35	-309	1	38	-703	1	14
-146	1	29	-386	1	34	-310	1	38	-704	1	14
-147	1	29	-391	1	34	-311	1	38	-704	1	16
-152	1	29	-392	1	34	-312	2	38	-718	1	18
-301	1	22	-393	1	35	-313	1	38	-723	1	14
-303	1	22	-396	1	34	-314	1	38	-724	1	12
-304	1	22	-397	1	34	-315	1	38	-724	1	14
-305	1	22	-398	1	35	-316	1	38	-724	1	16
-306	1	22	-399	1	35	-317	1	38	-725	1	12
-307	1	22	-400	1	35	-318	2	38	-725	1	16
-309	4	22	-402	2	35	-319	2	38	-726	1	12
-311	2	22	-404	1	35	-320	1	38	-728	1	14
-312	2	22	-405	1	35	-321	2	38	-734	1	12
-314	1	22	-406	1	35	-322	1	38	-734	1	14
-316	1	22	-407	2	35	-323	1	38	-734	1	16
-317	1	22	-408	1	35	-324	1	38	-735	1	12
-318	1	22	-409	1	35	-325	1	38	-735	1	16
-321	1	22	08-101	1	40	-326	1	38	-736	1	12
-322	1	22	-102	1	40	-327	2	38	-738	1	14
-324	1	22	-103	1	22	-328	2	38	-744	1	12
-325	1	22	-104	1	40	-329	4	38	-744	1	14
-326	2	22	-105	1	40	-330	3	38	-744	1	16
-331	1	22	-107	1	40	-331	2	38	-744	1	18
-336	1	22	-108	2	40	-332	1	38	-745	1	12
-337	2	22	-109	1	40	-333	1	38	-745	1	16
-340	1	22	-110	1	40	-334	1	38	-746	1	12
-341	1	22	-112	1	40	-336	1	38	-748	1	14
-342	1	22	-113	1	40	-337	1	38	-754	1	12
-343	1	22	-114	1	40	-338	1	38	-754	1	14
-344	1	22	-115	1	40	-339	1	38	-754	1	16
-346	1	22	-116	1	40	-340	1	38	-754	1	18
-348	1	22	-122	1	40	09-307	1	38	-755	1	12
-349	1	22	-124	1	22	11-504	1	14	-755	1	16
-350	1	22	-126	1	40	-504	1	16	-756	1	12
-351	2	22	-251	1	36	-713	1	18	-758	1	14
-351	1	22	-261	1	36	-722	1	12	-760	1	18
-353	1	22	-264	1	36	-722	1	14	-764	1	12
-358	2	22	-265	1	36	-722	1	16	-764	1	14
02-101	2	28	-266	1	36	-722	1	16	-764	1	16
-101	2	29	-267	1	36	-722	1	16	-764	1	18
-111	1	28	-268	1	36	-723	1	12	-765	1	12
-112	1	28	-269	1	36	-723	1	14	-765	1	16
-114	1	28	-271	1	36	-723	1	16	-766	1	12
-115	1	28	-272	1	36	-723	1	16	-768	1	14
-116	1	28	-273	1	36	-724	1	12	-854	1	12
-117	1	28	-274	1	36	-724	1	14	-855	1	12
-251	1	28	-275	1	36	-724	1	16	-855	1	16
-256	1	28	-276	1	36	-724	1	16	-856	1	12
-261	1	28	-277	1	36	-724	1	18	-858	1	14
-263	1	28	-278	1	36	-725	1	12	-864	1	12
-266	1	28	-279	1	36	-725	1	14	-865	1	12
-279	1	28	-281	1	38	-725	1	16	-865	1	16
-299	1	28	-282	1	38	-725	1	16	-866	1	12
07-121	1	22	-285	3	38	-725	1	18	-868	1	14
-123	1	22	-286	1	38	-726	1	12	15-704	1	16
-124	1	22	-287	1	38	-726	1	14	-704	1	18
-124	1	35	-288	1	38	-726	1	16	-718	1	18
-125	1	22	-289	1	38	-726	1	16	-723	1	12
-128	1	22	-290	1	38	-726	1	18	-723	1	14
-130	1	22	-291	1	38	-735	1	12	-726	1	12
-131	1	22	-292	1	38	-735	1	14	-726	1	14
-143	1	22	-293	1	38	-735	1	16	-728	1	14
-144	1	22	-294	1	38	-736	1	12	-753	1	12
-206	2	35	-294	4	38	-736	1	14	-753	1	14

33. Index (索引)

Part No.	Q'ty	Page No.	Part No.	Q'ty	Page No.	Part No.	Q'ty	Page No.	Part No.	Q'ty	Page No.
15-756	1	12	18-713	1	12	23-206	1	2	26-746	1	44
-757	1	14	-713	1	14	-206	1	26	-751	1	42
-760	1	18	-713	1	16	-207	1	2	-752	2	42
17-703	1	14				-207	1	26	-753	2	42
-704	1	14	21-041	1	36	-216	1	2	-764	1	22
-704	1	16	-071	1	36	-216	1	26	-856	1	44
-718	1	18	-101	1	2	-223	1	2	-857	1	44
-723	1	14	-101	1	31	-223	1	26	-858	1	44
-724	1	12	-111	1	2	-232	1	2	-859	1	44
-724	1	14	-111	1	22	-232	1	26	-860	1	44
-724	1	16	-111	1	23	-260	2	2	-861	1	44
-725	1	12	-111	1	24	-260	1	7	-866	1	44
-725	1	16	-113	1	2	-260	2	26	-866	1	44
-726	1	12	-114	1	31	-260	1	30	-867	2	44
-728	1	14	-122	1	2	-263	1	2	-867	2	44
-734	1	12	-122	1	26	-263	1	26	-868	2	44
-734	1	14	-161	1	26	-291	3	6	-868	2	44
-734	1	16	-131	1	2	-291	2	38	-869	2	44
-735	1	12	-131	1	26	-299	1	2	-869	2	44
-735	1	16	-208	1	2	-299	1	26	-876	1	44
-736	1	12	-208	1	26	-300	1	6	-877	2	44
-738	1	14	-301	1	2	-301	1	2	-878	1	44
-742	1	18	-302	1	34	-301	1	26	-879	1	44
-744	1	12	-306	1	26	-302	2	2	28-001	1	44
-744	1	14	-316	1	2	-302	2	26	-011	1	44
-744	1	16	-316	1	26	-306	4	6	-021	1	44
-745	1	12	-318	1	42	-324	2	4	-311	1	44
-745	1	16	-318	1	42	-324	3	4	-312	1	44
-746	1	12	-329	1	22	-324	4	4	-313	1	44
-748	1	14	-330	1	22	-324	2	31	-314	1	44
-752	1	18	-386	1	38	-324	4	44	-421	1	44
-754	1	12	-387	1	38	-341	2	7	-422	1	44
-754	1	14	-388	1	38	-341	2	8	-451	1	44
-754	1	16	-389	1	38	-341	1	23	-452	1	44
-755	1	12	-402	1	2	-341	1	24	-464	1	44
-755	1	16	-402	1	26	-341	1	27	-611	1	44
-756	1	12	-441	1	2	-341	1	29			
-758	1	14	-441	1	32	-341	2	30	31-161	4	44
-760	1	18	-501	1	2	-341	1	32	-203	1	2
-762	1	18	-508	1	40	-341	1	32	-203	1	26
-764	1	12	-513	1	2	-341	2	32	-305	1	6
-764	1	14	-513	1	26	-341	1	34	-306	1	6
-764	1	16	-521	1	2	-368	1	6	-307	1	6
-765	1	12	-521	1	31	-372	1	5	-310	1	6
-765	1	16	-528	1	26	-383	1	5	-314	2	6
-766	1	12	-531	1	26	-383	1	35	-314	5	6
-768	1	14	-572	1	26	-391	3	23	-341	2	6
-784	1	12	-573	1	31	-393	1	6	-341	2	6
-785	1	12	-574	1	34	-393	1	8	-346	2	32
-785	1	16	-701	1	2	-402	1	2	-364	1	6
-786	1	12	-701	1	26	-402	1	26	-401	1	6
-788	1	14	-711	1	2	25-101	1	2	-402	1	6
-794	1	12	-711	1	26	-101	1	2	-403	1	6
-795	1	12	22-551	1	26	-102	1	2	-404	1	6
-795	1	16	-751	1	2	-102	1	2	-405	1	6
-796	1	12	-753	1	34	-141	2	44	-406	1	6
-798	1	14	-754	1	22	26-401	1	22	-407	1	6
18-501	1	16	-756	1	31	-401	1	29	-409	1	6
-501	1	18	23-121	4	44	-402	1	29	-410	1	7
-702	1	16	-122	4	44	-403	2	29	-410	1	30
-702	1	18	-161	1	2	-406	4	29	35-111	1	5
-705	1	18	-161	1	26	-407	4	29	-121	1	6
-707	1	12	-161	1	38	-408	2	29	-199	1	9
-707	1	14	-166	1	5	-702	1	42	-201	1	6
-708	1	12	-187	2	42	-703	2	42	-203	2	6
-708	1	14	-189	1	10	-706	1	42	-207	1	6
-709	1	12	-195	1	5	-709	2	42	-246	1	6
-709	1	14	-195	1	7	-711	1	42	-257	1	6
-710	1	14	-197	1	5	-712	1	42	-276	1	32
-721	1	9	-197	1	7	-713	1	42	-302	1	6
-722	1	9	-197	1	8	-716	1	42	-303	3	6
19-303	1	9	-197	1	22	-717	1	42	-304	1	6
-315	1	9	-197	2	30	-718	1	42	-305	2	6
-702	1	18	-197	1	30	-719	2	42	-322	1	6
-712	1	18	-200	1	28	-720	3	42	39-102	1	6

33. Index (索引)

Part No.	Q'ty	Page No.	Part No.	Q'ty	Page No.	Part No.	Q'ty	Page No.	Part No.	Q'ty	Page No.
39-104	4	44	42-111		43	55-155	1	27	67-151	1	40
-107	1	7	-112	1	43	-174	1	23	-171	1	28
-107	1	30	-113	1	43	-174	1	24	-172	1	28
-108	1	2	-115		43	-175	1	32	-181	1	29
-108	1	26	-119		43	-176	1	34	-225	1	9
-122	1	5	-120	1	43	59-124	1	36	-311	1	23
-133	1	6	-122	3	43	-126	1	36	-311	1	24
-137	1	6	-123		43				-311	1	27
-161	1	2	43-112	1	4	61-252	1	22	-311	1	34
-161	1	26	-112	1	31	-252	1	34	-312	1	8
-162	1	6	-131	1	4	-312	1	8	-312	1	32
-163	2	2	-331	1	4	-312	1	22	69-011	1	36
-163	2	26	-333	1	4	-313	1	32	-105	1	7
-213	1	2	-333	1	31	-322	1	8	-105	1	30
-213	1	26	-335	1	4	-322	1	22	-106	1	22
-233	1	6	-335	1	31	-322	1	24	-121	1	7
-233	1	6	-339	1	4	-322	1	24	-121	1	30
			-339	1	31	-322	1	27	-121	1	30
41-101	2	4	-341	1	31	-322	1	27	-141	1	7
-101	3	4	-437	2	31	-322	1	34	-141	1	30
-101	4	4	45-100	1	4	-322	1	34	-208	1	7
-101	2	31	-101	1	4	-325	1	32	-208	1	30
-105	2	4	-102	1	4	-711	1	30	-305	1	7
-105	3	4	-109	1	31	-713	1	7	-305	1	30
-105	4	4	-120	1	4	-713	1	30			
-105	2	31	-121	1	4	-714	1	28	71-191	2	4
-107	2	4	-122	1	4	-722	1	7	-191	2	31
-107	3	4	-129	1	31	-806	1	22	-216	1	9
-107	4	4	-130	1	4	-810	1	28	-241	2	2
-107	2	31	-131	1	4	-821	1	29	-251	2	2
-111	4	4	-132	1	4	-823	1	9	-251	4	26
-111	6	4	-139	1	31	-823	1	9	-251	2	31
-111	8	4	-142	1	4	-826	1	22	-301	1	2
-111	4	31	-151	1	4	63-201	1	28	-301	1	34
-113	1	4	-151	1	31	-213	1	22	-306	1	22
-113	1	4	-225	1	4	-213	1	35	-306	2	22
-113	1	4	-225	1	31	-232	2	8	-361	2	29
-113	1	31	-232	1	6	-232	2	32	-362	1	29
-115	2	4	-232	1	12	-331	1	7	-401	1	2
-115	3	4	-232	1	14	-351	1	23	-431	1	8
-115	4	4	-232	1	18	-351	1	24	-431	2	8
-115	2	31	47-131	1	4	-351	1	27	-431	2	32
-117	2	4	-132	1	4	-351	1	34	-431	1	32
-117	3	4	-201	1	31	-352	1	8	-432	2	7
-117	4	4	-202	1	4	-352	1	32	-432	1	22
-117	2	31	-204	1	31	-353	1	27	-432	1	23
-121	1	4	49-133	1	8	-406	1	35	-432	1	24
-121	1	4	-133	1	32	-407	1	35	-432	1	27
-121	1	4				-512	1	7	-432	1	29
-121	1	31	51-013	1	8	-512	1	30	-432	2	30
-131	2	4	-031	1	8	-621	1	30	-432	1	34
-131	3	4	-036	1	8	-711	1	28	-435	1	35
-131	4	4	-102	1	8	-711	1	30	-454	1	9
-131	2	31	-103	1	8	-721	1	7	-466	6	28
-132	1	4	-105	1	8	-810	1	28	-466	6	29
-132	1	4	-109	1	8	-811	1	9	-472	1	28
-132	1	31	-111	2	8	-812	1	9	-482	1	6
-172	2	4	-113	1	8	-812	1	29	-519	1	35
-172	3	4	-117	1	12	-816	1	22	-523	1	29
-172	4	4	-117	1	14	-818	1	22	-531	1	8
-172	2	31	-118	1	12	65-301	1	30	-531	1	23
-303	1	4	-118	1	14	-302	1	28	-531	1	24
-416	2	4	-120	1	8	-311	2	7	-531	1	27
-701	1	4	55-041	1	23	-334	1	29	-531	1	32
-701	2	4	-041	1	24	-402	1	35	-531	1	34
-701	3	4	-041	1	27	-432	1	9	-533	1	35
-701	1	31	-041	1	34	-505	1	22	-542	1	10
-702	1	4	-051	1	23	66-111	1	7	-551	1	40
-702	1	4	-051	1	24	-111	1	30	-561	1	9
-702	1	4	-051	1	27	-131	1	29	-581	1	38
-702	1	31	-051	1	32	-506	1	8	-582	1	38
-721	1	4	-051	1	34	-506	1	40	-583	1	38
42-002	1	43	-053	1	34	-509	1	38	-612	1	7
-003	1	43	-061	1	22	-510	1	38	-612	1	30
-004	1	43	-061	1	28	67-132	1	9	-636	1	28

33. Index (索引)

Part No.	Q'ty	Page No.	Part No.	Q'ty	Page No.	Part No.	Q'ty	Page No.	Part No.	Q'ty	Page No.
71-642	1	23	75-371	2	24	77-103	1	10	84-113	1	34
-642	1	24	-371	2	27	-107	1	10	-161	1	4
-642	1	27	-371	2	32	-109	1	10	-161	1	6
-642	1	32	-371	2	34	-111	1	10	-161	1	9
-642	1	34	-372	2	8	-114	1	10	-161	1	12
-647	1	8	-372	1	28	-116	1	10	-161	1	14
-651	1	28	-381	1	4	-121	1	10	-161	1	14
-691	1	28	-381	1	4	-131	1	10	-161	1	14
-775	1	32	-381	1	23	-133	1	10	-161	1	14
-781	1	8	-381	1	24	-135	1	10	-161	2	18
-782	1	22	-381	1	27	-136	1	10	-161	2	22
-783	1	23	-381	1	28	-143	1	10	-161	1	31
-783	1	24	-381	1	28	79-121	1	10	-161	1	35
-783	1	27	-381	1	29	-126	1	28	-162	1	4
-784	1	34	-381	1	31	-142	1	40	-162	2	8
-870	1	7	-381	1	32	-142	1	40	-162	2	9
-870	1	30	-381	1	34	-143	2	35	-162	1	22
-871	1	24	-381	1	34	-146	1	40	-162	2	26
-871	1	34	-381	4	40	-158	1	22	-162	6	28
-874	1	7	-401	1	9	-171	1	22	-162	3	29
-874	1	23	-446	2	2	-171	1	29	-162	3	29
-880	1	30	-446	1	29	-174	1	22	-162	2	29
-901	1	9	-451	1	28	-175	1	22	-162	1	31
-921	1	28	-451	4	44	-191	12	28	-162	2	32
-933	1	7	-452	1	9	-191	12	29	-162	2	34
-933	1	30	-452	1	22	-194	1	29	-162	2	38
-936	1	22	-452	4	26	-222	1	10	-162	2	42
73-113	1	7	-452	1	28	-236	1	6	-163	1	4
-121	1	30	-452	1	28	-501	1	2	-163	2	4
74-502	1	34	-452	2	29	-502	1	2	-163	1	12
75-097	4	42	-452	1	36	-505	1	31	-163	1	14
-101	2	7	-452	1	40	-551	1	28	-163	1	16
-101	2	30	-453	1	2				-163	1	18
-112	1	27	-453	1	8	80-751	4	44	-163	1	31
-113	1	7	-453	2	9	81-110	1	5	-164	2	5
-113	2	28	-453	1	10	-113	1	7	-164	4	8
-113	1	30	-453	1	23	-113	1	30	-164	1	9
-114	1	8	-453	1	24	-136	1	5	-164	4	22
-114	1	32	-453	1	26	-137	1	5	-164	2	22
-126	1	22	-453	1	27	-141	2	8	-168	1	12
-132	1	8	-453	1	32	-154	1	5	-168	1	14
-132	2	23	-453	1	34	-164	1	22	-168	1	16
-132	2	24	-453	1	35	-166	1	22	-171	1	4
-132	2	27	-454	3	26	-167	1	22	-171	1	14
-132	2	28	-455	1	8	-168	1	22	-176	1	23
-132	2	32	-455	2	22	-170	1	22	-176	1	24
-132	2	34	-455	1	35	-182	1	30	-176	1	27
-132	2	38	-455	1	40	-183	1	5	-176	1	32
-133	1	38	-455	2	42	-184	1	5	-176	1	34
-139	1	9	-456	1	4	-189	1	30	-177	1	24
-152	1	29	-456	1	4	-201	1	5	-177	1	27
-152	1	34	-456	1	31	-201	1	28	-177	1	32
-154	1	10	-456	2	42	-213	1	22	-177	1	23
-155	1	35	-456	1	42	-255	1	5	-177	1	34
-156	2	22	-458	1	8	-281	1	38	-311	1	22
-211	1	28	-458	1	8	-282	1	38	-311	1	22
-243	1	8	-458	1	32	-283	1	38	-312	2	22
-243	1	23	-465	1	22	-284	1	38	-312	4	22
-243	1	24	-466	1	22	-304	1	38	-312	4	29
-243	1	27	-467	3	6	-321	1	28	-313	1	22
-243	1	32	-467	3	26	-322	1	28	-361	2	2
-243	1	34	-468	3	6	-323	1	28	-361	2	2
-246	1	28	-469	1	2	-337	1	35	-361	1	4
-327	1	9	-469	1	26	-337	1	35	-361	1	4
-328	1	22	-470	1	6	-401	1	9	-361	1	4
-331	1	9	-491	1	28	-412	1	7	-361	1	4
-332	1	7	-529	4	44	-412	1	30	-361	1	6
-332	1	7	77-001	1	44	-702	1	5	-361	1	9
-332	2	28	-002	2	44	-711	1	5	-361	1	22
-332	1	30	-003	1	44	-713	1	5	-361	1	22
-332	1	30	-004	1	44	-736	2	5	-361	2	22
-367	2	29	-005	1	44	-751	2	5	-361	2	26
-371	1	9	-006	1	44	84-112	1	38	-361	2	29
-371	1	9	-007	1	44	-113	1	16	-361	1	31
-371	2	23	-101	1	10	-113	1	18	-361	2	31

33. Index (索引)

Part No.	Q'ty	Page No.	Part No.	Q'ty	Page No.	Part No.	Q'ty	Page No.	Part No.	Q'ty	Page No.
84-361	2	31	84-463	3	28	84-571	4	2	84-591	1	7
-361	2	35	-463	1	34	-571	4	2	-591	1	30
-361	1	42	-464	2	4	-571	1	2	-591	1	30
-361	4	42	-464	2	12	-571	2	2	-591	1	40
-362	3	2	-464	2	14	-571	1	4	-602	1	35
-362	3	6	-464	2	16	-571	1	4	-611	1	28
-362	4	10	-464	2	18	-571	4	6	-611	2	36
-362	1	22	-464	1	31	-571	2	8	-611	1	36
-362	1	22	-464	1	34	-571	2	18	-611	2	36
-362	1	40	-464	1	35	-571	2	23	-612	1	9
-363	1	2	-464	2	35	-571	2	24	-612	2	23
-363	3	6	-511	2	8	-571	2	26	-612	2	24
-363	1	8	-511	1	10	-571	2	26	-612	2	27
-363	3	8	-511	2	12	-571	2	27	-612	2	34
-363	1	26	-511	2	14	-571	2	29	-612	1	40
-363	1	30	-511	2	16	-571	1	31	-613	1	35
-363	2	34	-511	2	18	-571	1	31	-614	1	8
-363	2	34	-511	2	29	-571	2	32	-616	1	9
-363	2	42	-511	2	32	-571	1	34	-616	2	9
-364	1	4	-511	2	34	-571	2	34	-661	8	2
-364	1	12	-512	1	8	-571	1	34	-661	4	8
-364	1	14	-512	2	10	-571	2	35	-661	8	26
-364	1	16	-512	2	22	-571	2	35	-661	6	38
-364	2	35	-512	1	28	-571	2	42	-661	2	40
-365	1	7	-512	3	35	-571	1	42	-664	0	2
-365	1	7	-512	7	38	-571	2	42	-664	2	18
-365	1	22	-512	4	38	-571	1	42	-664	10	26
-365	1	30	-513	1	12	-571	1	42	-711	2	8
-366	1	8	-513	1	14	-571	4	38	-711	1	22
-366	1	8	-513	1	16	-571	2	38	-711	2	32
-366	1	9	-513	1	18	-571	2	2	-712	1	23
-366	1	23	-515	1	22	-572	3	6	-712	1	24
-366	1	23	-521	2	6	-572	1	7	-712	1	27
-366	1	24	-521	1	2	-572	2	9	-712	2	29
-366	1	24	-521	1	22	-572	2	9	-712	1	32
-366	1	27	-521	2	9	-572	2	22	-712	2	32
-366	1	27	-521	1	31	-572	2	22	-712	2	38
-366	1	27	-521	2	35	-572	2	22	-715	4	8
-366	1	30	-521	1	4	-572	2	23	-715	1	22
-366	1	32	-521	1	26	-572	2	24	-715	4	24
-366	1	32	-561	1	10	-572	2	28	-715	4	27
-366	1	34	-561	1	10	-572	2	29	-715	4	32
-366	1	34	-562	1	10	-572	1	30	-715	2	34
-366	1	40	-562	1	28	-572	2	31	-715	1	34
-368	1	16	-563	1	10	-574	3	2	-715	4	34
-368	1	18	-563	1	27	-574	1	8	-718	2	7
-368	2	35	-563	1	28	-574	1	23	-718	2	28
-370	1	22	-563	2	28	-574	1	24	-718	2	30
-374	1	4	-564	2	38	-574	3	26	-719	1	28
-374	1	4	-564	4	38	-574	1	27	-761	1	2
-374	1	31	-564	2	40	-574	3	31	-761	2	2
-374	1	31	-564	2	40	-574	1	32	-761	2	7
-374	1	31	-564	1	40	-574	1	34	-761	2	7
-374	2	35	-566	6	2	-575	2	18	-761	1	8
-374	4	35	-566	5	2	-575	2	22	-761	2	9
-374	2	40	-566	4	6	-576	1	8	-761	2	23
-374	1	40	-566	3	7	-576	1	8	-761	2	23
-374	2	40	-566	2	10	-576	1	23	-761	2	24
-374	1	40	-566	6	26	-576	1	24	-761	1	26
-374	4	40	-566	1	26	-576	1	27	-761	3	26
-377	1	22	-566	1	28	-576	1	32	-761	2	27
-379	2	8	-566	1	28	-576	1	32	-761	2	30
-382	1	12	-566	2	29	-576	1	34	-761	2	30
-382	1	14	-566	1	34	-576	1	34	-761	3	31
-382	1	16	-566	2	42	-580	1	22	-761	2	32
-382	2	18	-566	2	42	-581	1	10	-761	2	34
-383	1	8	-566	2	42	-582	1	28	-761	2	34
-462	1	2	-566	3	42	-584	1	28	-761	7	38
-462	1	8	-567	2	7	-585	3	26	-762	2	28
-462	2	28	-567	2	28	-586	2	7	-763	2	35
-462	6	38	-567	2	30	-588	1	23	-763	2	36
-463	1	8	-567	2	30	-588	1	24	-764	1	4
-463	1	23	-568	2	7	-588	1	27	-764	1	4
-463	1	24	-568	2	30	-588	1	34	-764	1	10
-463	1	27	-568	2	30	-590	1	32	-764	1	31

33. Index (索引)

Part No.	Q'ty	Page No.	Part No.	Q'ty	Page No.	Part No.	Q'ty	Page No.
84-764	2	40	86-411	1	4	91-271	1	8
-766	1	9	-411	2	4	-271	1	23
-767	1	9	-411	1	8	-271	1	24
-781	1	10	-411	1	9	-271	1	27
-782	1	40	-411	1	9	-271	1	32
-784	1	40	-411	1	28	-271	1	34
-812	1	10	-411	1	31	-406	2	8
-812	1	22	-411	1	35	-406	1	32
-812	1	22	-411	1	36	-521	1	36
-812	1	22	-411	3	38	92-231	1	7
-812	1	22	-411	2	40	-231	1	9
-812	2	35	-411	2	40	-231	1	30
-812	2	40	-411	2	42	93-200	1	22
-813	2	29	-412	1	8	-200	1	28
-813	2	40	-412	1	9	-221	1	28
-814	1	8	-412	1	23	-251	1	28
-814	1	28	-412	1	24	-261	1	8
-814	1	32	-412	1	27	-406	2	8
-861	2	2	-412	1	29	-406	1	32
-861	3	26	-412	1	32	-611	2	10
-861	2	31	-412	1	34	97-464	4	38
-861	2	34	-412	1	35	-465	1	38
-862	2	2	-413	1	9	-729	1	35
-862	1	22	-413	1	22	-739	1	35
-862	2	26	-413	1	22	-749	1	35
-862	2	31	-415	1	22	-759	1	35
-862	1	34	-481	2	35	-769	1	35
-862	2	35	-501	1	5	-779	1	35
-862	2	35	-501	1	9	-789	1	35
85-041	1	32	-501	2	22	-802	2	38
-113	12	7	-501	1	22	-808	1	38
-113	2	22	-501	1	23	-809	1	38
-113	12	30	-501	1	24	-809	2	38
-114	2	7	-501	1	27	-829	3	38
-114	2	7	-501	1	28	1108	1	38
-114	2	30	-501	1	28	1109	1	38
-114	2	30	-501	1	29	1146	2	38
-181	2	42	-501	1	32	1147	4	38
-182	1	7	-501	1	34	1148	3	38
-182	1	30	-501	1	34	1151	1	38
-191	1	28	-502	1	9	1152	1	38
-195	2	38	-504	4	35	1153	1	38
-211	1	9	-541	1	28	7115	1	14
-212	2	7	-701	1	29	7115	1	14
-212	2	30	-721	1	22	7115	1	14
-531	1	4	-741	1	28	7115	1	14
-531	1	6	-741	1	3	7115	1	14
-531	1	22	-742	1	28	TP3X10	3	38
-531	1	31	-742	1	30	TP3X13	4	38
-611	1	12	-761	2	28			
-611	1	14	-851	1	10			
-611	1	16	87-136	1	35			
-611	1	26	-141	1	38			
-621	2	4	-149	1	44			
-621	1	12	-150	1	44			
-621	1	14	-156	2	44			
-621	1	14	-156	2	44			
-621	2	31	-161	2	44			
-623	1	12	-456	1	29			
-623	1	14	-516	1	22			
-623	1	16	-521	1	40			
-624	1	8	-751	1	28			
-627	2	2	-756	2	26			
-627	2	26	-810	1	2			
-628	2	2	-810	1	26			
-628	2	26	-811	1	5			
-671	1	28	-901	17	36			
-671	1	36	88-156	1	44			
-681	2	29	-176	2	44			
-762	1	10	-176	2	44			
86-311	1	8	-176	4	44			
-311	1	40	-456	1	29			
-312	1	28						
-314	1	9	91-011	28	7			
-411	2	4	-156	1	28			

MORIMOTO MFG. CO., LTD.

Megalo Coop Fukushima Bldg. (2F),
10-19, Fukushima 2-Chome, Fukushima-ku,
Osaka 553, Japan
Tel: (06) 451-9127 Telex: 05242193 KSPCAL-J

MAIN FACTORY

180, Suna Shijonawate City, Osaka 575, Japan
Tel: (0720) 78-1177

TOKYO OFFICE

24-4, 2-chome, Taito, Taito-ku, Tokyo 110, Japan
Tel: (03) 831-7791 Telex: 2655918 KSTKY

MORIMOTO MFG. (S) CO. PTE. LTD.

18A-23A Block 12, 50 Kallang Bahru,
Kallang Basin Industrial Estate Singapore 12
Tel: 2938856, 2938880 Telex: RS25138 A/B: MMSPL

MORIMOTO MFG. (H.K.) LTD.

C-2 22nd Floor, Pearl City Mansion, Paterson Street, Hong Kong
Tel: 5-771631 Telex: 83919 (MORHK HX)

KANSAI SPECIAL USA CORPORATION

51 Romeo St., Moonachie N.J. 07074 U.S.A.
Tel: 201-460-0350 Telex: 133413 KANSAIUSA MOON